



WIRECO
A World Ahead

2024



Lifting & Rigging - Lifting Chains & Fittings - Webbing - Load Restraint

Lifting Catalogue

 **1300 947 326**

 sales@wireco.com.au

7 Demand Avenue
Arundel QLD 4214

Tel: 1300 947 326

PO Box 3020
Helensvale Town Centre
QLD 4212

FIND US

 www.instagram.com/wirecoaustralia

 www.facebook.com/wirecoaustralia

 <https://www.linkedin.com/company/wireco-australia>

sales@wireco.com.au

wireco.com.au

CONTENTS

01	LIFTING & RIGGING COMPONENTS	2 to 19
02	ALLOY LIFTING CHAIN & FITTINGS	20 to 37
03	MATERIALS HANDLING	38 to 41
04	SYNTHETIC SLINGS	42 to 48
05	RECOVERY, TOWING & RESTRAINT	49 to 53
06	LOAD RESTRAINT	54 to 57
	INDEX	58

01 LIFTING & RIGGING COMPONENTS

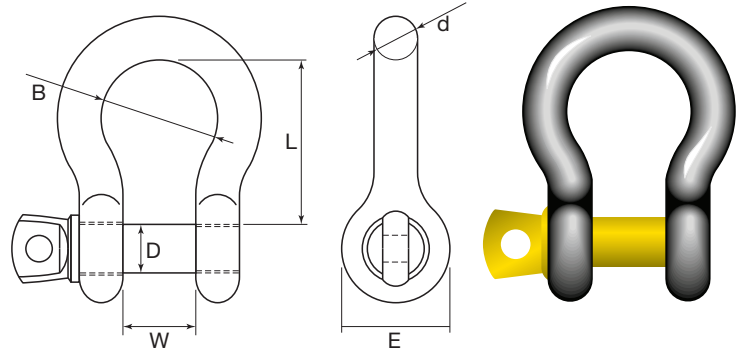
WIRECO GRADE S YELLOW PIN SHACKLES	3 to 4
VAN BEEST GREEN PIN SHACKLES	5 to 10
LIFTING POINTS	11
SWIVELS	12 to 15
TRIANGLE PLATES	16 to 17
QUICK RELEASE HOOK	18
QUICK LINKS	19

This data is for guidance purposes only and subject to change without prior notice.

LIFTING & RIGGING COMPONENTS

WIRECO GRADE S SHACKLE BOW TYPE, SCREW PIN

- Conforms to AS2741
- Proof tested to 2 x WLL
- Safety Factor: MBL equals 6 x WLL
- Finish: Hot dipped galvanised
- Test certificates are available upon request

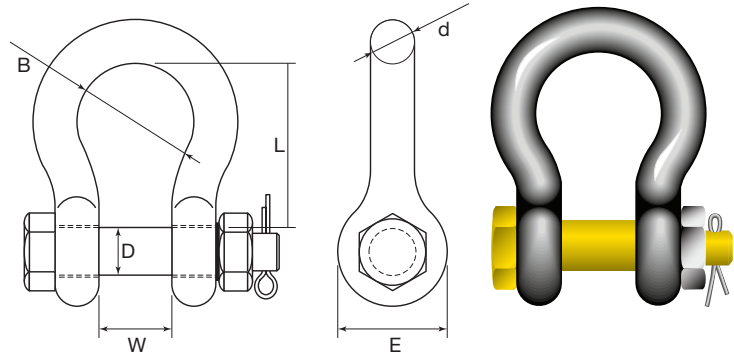


Part No.	Size	WLL	d	B	D	W	L	E	Weight
	mm	t	mm	mm	mm	mm	mm	mm	kg
LT-FHGPEC06	6	0.50	6	20	8	12	29	17	0.06
LT-FHGPEC08	8	0.75	8	21	10	13	31	21	0.11
LT-FHGPEC10	10	1.0	10	26	11	17	37	25	0.15
LT-FHGPEC11	11	1.5	11	29	13	18	43	27	0.21
LT-FHGPEC13	13	2.0	13	33	16	21	48	33	0.37
LT-FHGPEC16	16	3.2	16	43	19	27	61	40	0.65
LT-FHGPEC19	19	4.7	19	51	22	32	72	48	1.06
LT-FHGPEC22	22	6.5	22	58	25	37	84	54	1.56
LT-FHGPEC25	25	8.5	25	68	29	43	95	60	2.32
LT-FHGPEC28	28	9.5	28	74	32	46	108	67	3.30
LT-FHGPEC32	32	12.0	32	83	35	52	119	76	4.51
LT-FHGPEC35	35	13.5	35	92	38	57	133	84	5.93
LT-FHGPEC38	38	17.0	38	98	41	60	146	92	7.89
LT-FHGPEC45	45	25.0	45	127	51	73	178	110	14.99
LT-FHGPEC50	50	35.0	50	146	57	83	197	127	18.85

LIFTING & RIGGING COMPONENTS

WIRECO GRADE S SHACKLE BOW TYPE, SAFETY PIN

- Conforms to AS2741
- Proof tested to 2 x WLL
- Safety Factor: MBL equals 6 x WLL
- Finish: Hot dipped galvanised
- Test certificates are available upon request



Part No.	Size	WLL	d	B	D	W	L	E	Weight
	mm	t	mm	mm	mm	mm	mm	mm	kg
LT-FHGPSC06	6	0.50	6	20	8	12	29	17	0.08
LT-FHGPSC08	8	0.75	8	21	10	13	31	21	0.12
LT-FHGPSC10	10	1.00	10	26	11	17	37	25	0.16
LT-FHGPSC13	13	2.00	13	33	16	21	48	33	0.44
LT-FHGPSC16	16	3.20	16	43	19	27	61	40	0.79
LT-FHGPSC19	19	4.70	19	51	22	32	72	48	1.18
LT-FHGPSC22	22	6.50	22	58	25	37	84	54	1.88
LT-FHGPSC25	25	8.50	25	68	29	43	95	60	2.78
LT-FHGPSC28	29	9.50	29	74	32	46	108	87	3.87
LT-FHGPSC32	32	12.00	32	83	35	52	119	76	5.26
LT-FHGPSC35	35	13.50	35	92	38	57	133	84	6.94
LT-FHGPSC38	38	17.00	38	98	41	60	146	92	8.79
LT-FHGPSC45	45	25.00	45	127	51	73	178	110	14.99
LT-FHGPSC50	50	35.00	50	146	57	83	197	127	20.65
LT-FHGPSC65	65	55.00	65	184	70	105	257	152	41.05
LT-FHGPSC75	75	85.00	75	200	83	127	330	165	66.50
LT-FHGPSC89	89	120.00	89	241	95	146	361	203	110.00

This data is for guidance purposes only and subject to change without prior notice.

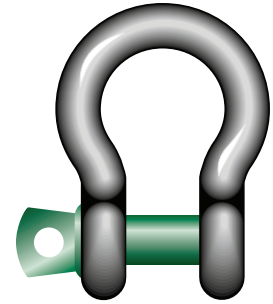
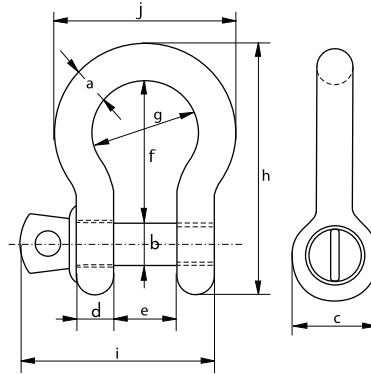
LIFTING & RIGGING COMPONENTS

VAN BEEST GREEN PIN BOW TYPE, SCREW PIN SHACKLE



Standard bow shackle with screw collar pin

- Material: bow and pin high tensile steel, grade 6, quenched and tempered
- Safety Factor: MBL equals 6 x WLL
- Standard: EN 13889 and meets performance requirements of US Fed. Spec. RR-C-271 Type IVA Class 2, grade A, from 2 t and upward these shackles comply with ASME B30.26
- Finish: hot dipped galvanized
- Temperature Range: -40°C up to +200°C
- Certification: 2.1 2.2 3.1 MTC a DNV GL 0378 CE ABS PDA ABS MA



G-4161

Part No.	WLL	a	b	c	d	e	f	g	h	i	j	Weight
	t	mm	mm	mm	mm	mm	mm	mm	mm	mm	mm	kg
FHGPEC05	0.33	5	6	12	5	9.5	22	16	36	29.5	26	0.02
FHGPEC07	0.5	7	8	16.5	7	12	29	20	48.5	38	34	0.05
FHGPEC09	0.75	9	10	20	9	13.5	32	22	56	46.5	40	0.1
FHGPEC10	1	10	11	22.5	10	17	36.5	26	63.5	54	46	0.14
FHGPEC11	1.5	11	13	26.5	11	19	43	29	74	59.5	51	0.19
FHGPEC13	2	13.5	16	34	13	22	51	32	89	73	58	0.36
FHGPEC16	3.25	16	19	40	16	27	64	43	110	89	75	0.63
FHGPEC19	4.75	19	22	46	19	31	76	51	129	103	89	1.01
FHGPEC22	6.5	22	25	52	22	36	83	58	144	119	102	1.5
FHGPEC25	8.5	25	28	59	25	43	95	68	164	137	118	2.21
FHGPEC28	9.5	28	32	66	28	47	108	75	185	153	131	3.16
FHGPEC32	12	32	35	72	32	51	115	83	201	170	147	4.31
FHGPEC35	13.5	35	38	80	35	57	133	92	227	186	162	5.55
FHGPEC38	17	38	42	88	38	60	146	99	249	203	175	7.43
FHGPEC45	25	45	50	103	45	74	178	126	300	243	216	12.84
FHGPEC50	35	50	57	111	50	83	197	138	331	272	238	18.15
FHGPEC57	42.5	57	65	130	57	95	222	160	377	310	274	26.29
FHGPEC65	55	65	70	145	65	105	260	180	433	344	310	37.6

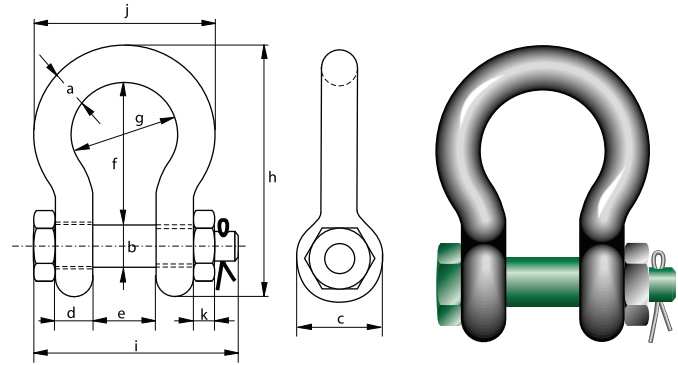
LIFTING & RIGGING COMPONENTS

VAN BEEST GREEN PIN BOW TYPE, SAFETY PIN SHACKLE



Standard bow shackle with safety bolt

- Material: bow and pin high tensile steel, grade 6, quenched and tempered
- Safety Factor: MBL equals 6 x WLL
- Standard: EN 13889 and meets performance requirements of US Fed. Spec. RR-C-271 Type IVA Class 3, grade A, from 2 t and upward these shackles comply with ASME B30.26
- Finish: hot dipped galvanized
- Temperature Range: -40°C up to +200°C
- Certification: 2.1 2.2 3.1 MTC a DNV GL 2.7-1 a * DNV GL 2.7-1 b * DNV GL 0378 CE ABS PDA ABS MA



G-4163

Part No.	WLL	a	b	c	d	e	f	g	h	i	j	k	Weight
	t	mm	mm	mm	mm	mm	mm	mm	mm	mm	mm	mm	kg
FHGPSC07	0.5	7	8	16.5	7	12	29	20	48.5	42	34	4	0.06
FHGPSC09	0.75	9	10	20	9	13.5	32	22	56	50	40	5	0.11
FHGPSC10	1	10	11	22.5	10	17	36.5	26	63.5	60	46	8	0.16
FHGPSC11	1.5	11	13	26.5	11	19	43	29	74	67	51	11	0.22
FHGPSC13	2	13.5	16	34	13	22	51	32	89	82	58	13	0.42
FHGPSC16	3.25	16	19	40	16	27	64	43	110	98	75	17	0.74
FHGPSC19	4.75	19	22	46	19	31	76	51	129	114	89	19	1.18
FHGPSC22	6.5	22	25	52	22	36	83	58	144	130	102	22	1.77
FHGPSC25	8.5	25	28	59	25	43	95	68	164	150	118	25	2.58
FHGPSC28	9.5	28	32	66	28	47	108	75	185	166	131	27	3.66
FHGPSC32	12	32	35	72	32	51	115	83	201	178	147	30	4.91
FHGPSC35	13.5	35	38	80	35	57	133	92	227	197	162	33	6.54
FHGPSC38	17	38	42	88	38	60	146	99	249	202	175	19	8.19
FHGPSC45	25	45	50	103	45	74	178	126	300	249	216	23	14.22
FHGPSC50	35	50	57	111	50	83	197	138	331	269	238	26	19.53
FHGPSC57	42.5	57	65	130	57	95	222	160	377	301	274	29	28.33
FHGPSC65	55	65	70	145	65	105	260	180	433	330	310	32	39.59
FHGPSC75	85	75	83	162	73	127	329	190	527	380	340	39	62

This data is for guidance purposes only and subject to change without prior notice.

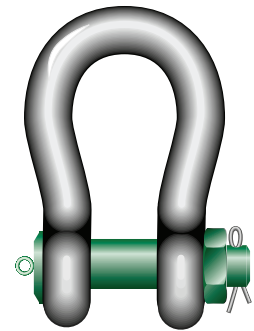
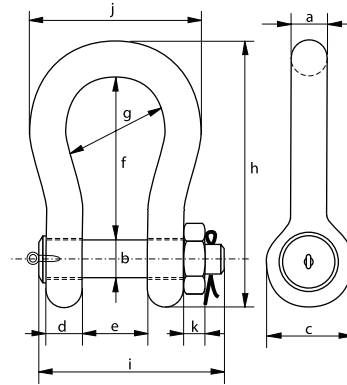
LIFTING & RIGGING COMPONENTS

VAN BEEST GREEN PIN HEAVY DUTY SHACKLE



High load capacity bow shackle with safety bolt

- Material: bow and pin alloy steel, grade 8 quenched and tempered
- Safety Factor: MBL equals 5 x WLL
- Standard: ASME B30.26
- Finish: shackle bow painted silver, pin painted green (120 tons shackle is hot dipped galvanized)
- Certification: 2.1 2.2 3.1 MTC a MTC b * LROS * MPI a US a CE



P-6036

Part No.	WLL	a	b	c	d	e	f	g	h	i	j	k	Weight
	t	mm	mm	mm	mm	mm	mm	mm	mm	mm	mm	mm	kg
FHGPSC89	120	95	95	208	95	147	400	238	647	453	428	50	110
FHGPSC108	150	105	108	238	105	169	410	275	688	496	485	50	160
FHGPSC120	200	120	130	279	120	179	513	290	838	564	530	70	235
FHGPSC130	250	130	140	299	130	205	554	305	904	614	565	70	295
FHGPSC140	300	140	150	325	140	205	618	305	996	644	585	80	368
FHGPSC170	400	170	175	376	164	231	668	325	1114	690	665	70	560
FHGPSC180	500	180	185	398	164	256	718	350	1190	720	710	70	685
FHGPSC200	600	200	205	444	189	282	718	375	1243	810	775	70	880
FHGPSC210-700	700	210	215	454	204	308	718	400	1263	870	820	70	980
FHGPSC210-800	800	210	220	464	204	308	718	400	1270	870	820	70	1100
FHGPSC220	900	220	230	485	215	328	718	420	1296	920	860	70	1280
FHGPSC240	1000	240	240	515	215	349	718	420	1336	940	900	70	1460
FHGPSC260	1250	260	270	585	230	369	768	450	1456	1025	970	70	1990
FHGPSC280	1500	280	290	625	230	369	818	450	1556	1025	1010	70	2400

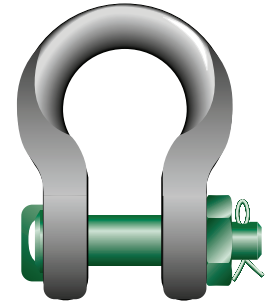
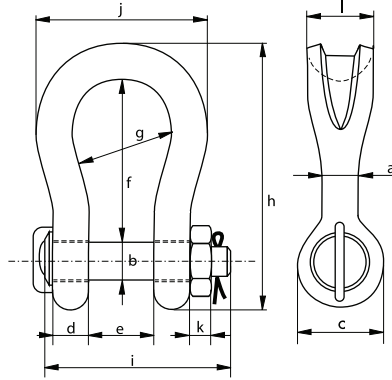
LIFTING & RIGGING COMPONENTS

VAN BEEST GREEN PIN SLING SHACKLE



High load capacity bow shackle with safety bolt

- Material: bow and pin alloy steel, grade 8, quenched and tempered
- Safety Factor: MBL equals 5 x WLL
- Finish: shackle bow painted silver, pin painted green (7 up to 55 ton shackles are hot dipped galvanized)
- Temperature Range: -20°C up to +200°C
- Certification: 2.1 2.2 3.1 MTC b * LROS * MPI
b * US b * CE



P-6033

Part No.	WLL	a	b	c	d	e	f	g	h	i	j	k	l	Weight
	t	mm	mm	mm	mm	mm	mm	mm	mm	mm	mm	mm	mm	kg
FHGPSSC-007	7	22	22	46	19	32	96	64	153	115	110	19	41	2
FHGPSSC-012	12.5	28	28	61	25	44	121	82	197	151	146	24	54	4
FHGPSSC-018	18	35	35	69	30	54	148	102	239	175	180	29	64	7
FHGPSSC-030	30	40	42	90	35	69	165	126	279	211	200	34	79	13
FHGPSSC-040	40	55	51	109	45	84	199	140	331	252	235	38	97	21
FHGPSSC-055	55	60	57	115	55	90	240	160	389	299	270	45	100	30
FHGPSSC-075	75	68	70	125	54	110	290	185	473	317	317	40	120	45
FHGPSSC-125	125	85	80	154	85	137	366	220	583	413	390	40	150	84
FHGPSSC-150	150	94	95	179	89	147	391	253	645	445	434	50	170	117
FHGPSSC-200	200	110	105	199	100	158	481	280	759	480	482	50	205	179
FHGPSSC-250	250	126	120	227	110	179	542	300	859	535	530	60	240	260
FHGPSSC-300	300	135	134	245	122	195	601	350	947	590	620	70	265	350
FHGPSSC-400	400	160	160	293	145	231	576	370	985	675	690	80	320	580
FHGPSSC-500	500	170	180	328	160	263	681	450	1131	748	790	90	339	780
FHGPSSC-600	600	190	200	348	170	289	741	490	1234	809	865	100	370	980
FHGPSSC-700	700	200	215	392	190	315	751	540	1284	879	901	100	400	1360
FHGPSSC-800	800	218	230	420	200	342	851	554	1426	942	947	110	420	1430
FHGPSSC-900	900	242	255	466	220	368	851	580	1488	1023	1023	120	440	1650
FHGPSSC-1000	1000	260	270	490	240	399	851	614	1532	1103	1107	120	460	2970
FHGPSSC-1250	1250	285	300	510	260	452	931	650	1666	1227	1182	150	530	3700
FHGPSSC-1550	1550	285	320	550	280	483	950	680	1710	1300	1253	150	560	4000

This data is for guidance purposes only and subject to change without prior notice.

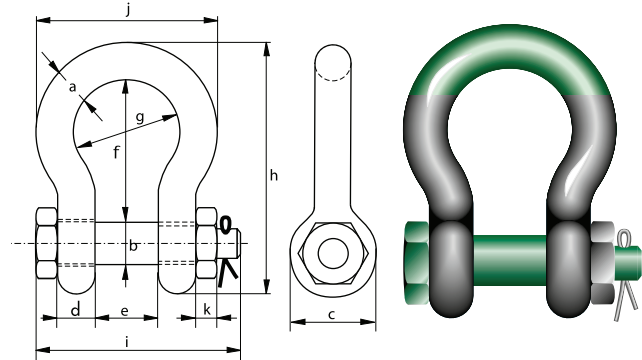
LIFTING & RIGGING COMPONENTS

VAN BEEST GREEN PIN SUPER BOW SHACKLE



Grade 8 bow shackle with safety bolt

- Material: bow and pin alloy steel, grade 8, quenched and tempered
- Safety Factor: MBL equals 5 x WLL
- Standard: ASME B30.26 and meets performance requirements of US Fed. Spec. RR-C-271 Type IVA Class 3, grade B
- Finish: hot dipped galvanized (175 ton shackle is painted)
- Temperature Range: -20°C up to +200°C
- Certification: 2.1 2.2 3.1 MTC a MTC b * LROS * CE ABS PDA ABS MA



G-5263

Part No.	WLL	a	b	c	d	e	f	g	h	i	j	k	Weight
	t	mm	mm	mm	mm	mm	mm	mm	mm	mm	mm	mm	kg
FHGPSC13SUPER	3.3	13.5	16	34	13	22	51	32	89	82	58	13	0.40
FHGPSC16SUPER	5	16	19	40	16	27	64	43	110	98	75	17	0.73
FHGPSC19SUPER	7	19	22	46	19	31	76	51	129	114	89	19	1.19
FHGPSC22SUPER	9.5	22	25	52	22	36	83	58	144	130	102	22	1.73
FHGPSC25SUPER	12.5	25	28	59	25	43	95	68	164	150	118	25	2.56
FHGPSC28SUPER	15	28	32	66	28	47	108	75	185	166	131	27	3.6
FHGPSC32SUPER	18	32	35	72	32	51	115	83	201	178	147	30	4.95
FHGPSC35SUPER	21	35	38	80	35	57	133	92	227	197	162	33	6.62
FHGPSC38SUPER	30	38	42	88	38	60	146	99	249	217	175	34	8.11
FHGPSC45SUPER	40	45	50	103	45	74	178	126	300	260	216	40	15
FHGPSC57SUPER	55	57	57	117	57	83	197	138	341	303	252	46	23
FHGPSC70SUPER	85	70	70	143	70	105	260	180	437	363	320	56	44
FHGPSC83SUPER	120	83	83	162	83	127	329	190	535	425	356	66	72
FHGPSC95SUPER	150**	95	95	208	95	147	400	238	647	524	428	50	112
FHGPSC105SUPER	175**	105	108	238	105	169	410	275	688	567	485	50	160

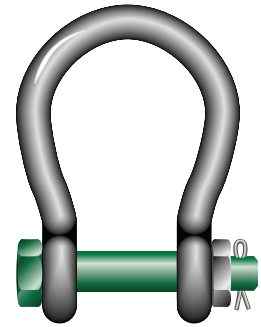
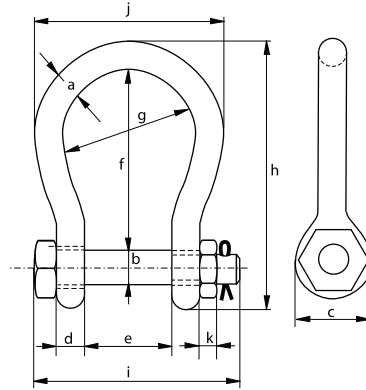
LIFTING & RIGGING COMPONENTS

VAN BEEST GREEN PIN WIDE MOUTH BOW SHACKLE



Grade 8 bow shackle with safety bolt and wider shackle mouth

- Material: bow and pin alloy steel, grade 8, quenched and tempered
- Safety Factor: MBL equals 6 x WLL
- Standard: ASME B30.26
- Finish: hot dipped galvanized
- Temperature Range: -20°C up to +200°C
- Certification: 2.1 2.2 3.1 MTC a CE



G-4263

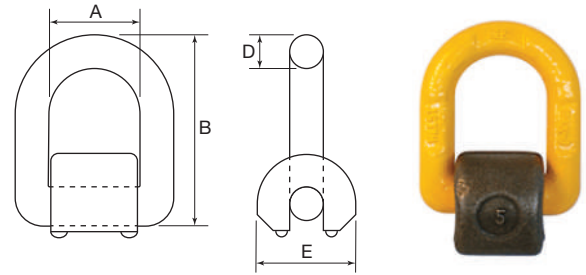
Part No.	WLL	a	b	c	d	e	f	g	h	i	j	k	Weight
	t	mm	mm	mm	mm	mm	mm	mm	mm	mm	mm	mm	kg
FHWM022	4.75	22	25	52	22	63	112	88	173	157	132	22	2.08
FHWM025	6.5	25	28	59	25	75	135	105	204	183	155	25	3.14
FHWM028	8.5	28	32	66	28	82	148	115	225	205	171	27	4.36
FHWM032	9.5	32	35	72	32	90	162	126	248	224	190	30	5.95
FHWM035	12	35	38	79	35	100	180	140	274	245	210	33	7.87
FHWM038	16	38	42	88	38	106	216	159	319	248	235	19	12.5
FHWM045	25	45	50	103	45	127	248	175	370	296	265	23	16.7
FHWM050	30	50	57	118	50	146	273	207	411	332	307	26	25
FHWM065	55	65	70	145	65	165	314	213	487	389	343	32	45
FHWM083	75	83	83	164	83	184	330	254	537	455	420	39	77

This data is for guidance purposes only and subject to change without prior notice.

LIFTING & RIGGING COMPONENTS

WELD ON LIFTING POINTS

- Conforms to AS3776
- Safety Factor - 4:1
- Ideal for lifting and lashing
- Welding is to be performed by a qualified welder
- Test certificates are available upon request



Part No.	WLL	B.L	A	B	D	E	Weight
	Ton	Ton	mm	mm	mm	mm	kg
LT-B1-X	1.12	4.48	41	78.5	13	38	0.47
LT-B3-X	3.15	12.8	46	94	17	43	0.69
LT-B5-X	5.3	21.2	55	118	22	61	1.46
LT-B8-X	8	32	70	141	26.5	70.5	2.52

LIFTING & RIGGING COMPONENTS

SWIVELS

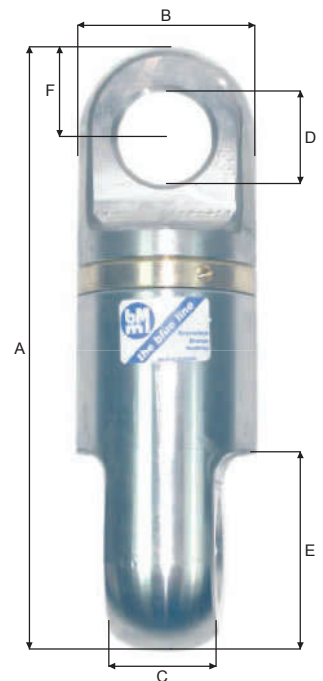
STEEL - TAPERED ROLLER THRUST BEARING - GREASABLE

Part No.	WLL (5:1)	A	B	C	D	E	F	G	Weight
	t	mm	mm	mm	mm	mm	mm	mm	kg
BM-A401	1.0	126	43	16	15	36	18	35	0.78
BM-A402	2.0	157	54	20	20	45	22	45	1.55
BM-A403	3.0	189	65	27	26	55	28	55	2.70
BM-A405	5.0	220	70	33	30	64	33	60	3.95
BM-A408	8.0	250	85	42	34	73	39	75	6.80
BM-A412	12.0	295	95	50	41	86	45	86	10.75
BM-A417	17.0	360	120	57	45	113	55	108	20.40
BM-A422	22.0	435	131	60	52	118	63	118	24.70
BM-A432	32.0	500	160	65	59	132	73	140	45.00
BM-A445	45.0	700	220	102	74	190	100	200	130.00



STAINLESS STEEL - TAPERED ROLLER THRUST BEARING - GREASABLE

Part No.	WLL (5:1)	A	B	C	D	E	F	Weight
	t	mm	mm	mm	mm	mm	mm	kg
BM-A402SS	2.0	157	54	20	20	45	22	1.50
BM-A403SS	3.0	189	65	27	26	55	28	2.75



STAINLESS STEEL - BRONZE BUSHING

Part No.	WLL (5:1)	A	B	C	D	E	F	Weight
	t	mm	mm	mm	mm	mm	mm	kg
BM-A304	4.0	169	49	29	26	50	25	1.60
BM-A306	6.0	197	58	34	30	60	31	2.70
BM-A308	8.0	224	68	40	34	69	35	4.40

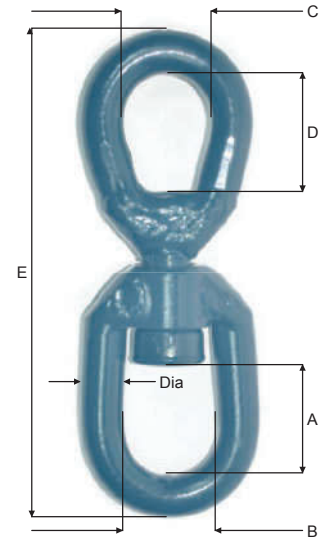
This data is for guidance purposes only and subject to change without prior notice.

LIFTING & RIGGING COMPONENTS

SWIVELS

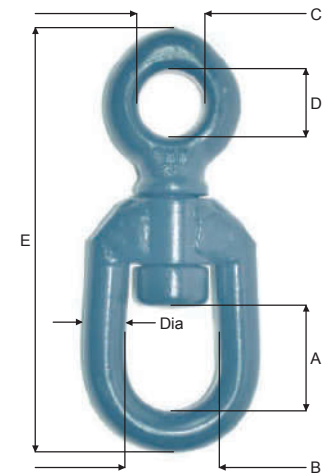
STEEL - BLUE PAINTED

Part No.	Diam.	WLL (5:1)	A	B	C	D	E	Weight
	mm	t	mm	mm	mm	mm	mm	kg
BM-A08STG	8	0.5	20	13	12	12	80	0.08
BM-A10ST	10	0.6	32	28	25	31	123	0.23
BM-A12ST	12	1.1	35	30	28	33	140	0.40
BM-A14ST	14	1.3	40	38	33	37	168	0.65
BM-A16ST	16	1.5	40	38	33	41	180	0.76
BM-A19ST	19	2.4	50	38	35	47	200	1.30



STEEL - FORGED - BLUE PAINTED

Part No.	Diam.	WLL (5:1)	A	B	C	D	E	Weight
	mm	t	mm	mm	mm	mm	mm	kg
BM-A16FO	16	2.4	30	28	22	22	150	0.87
BM-A19FO	19	3.8	42	40	28	28	185	1.30
BM-A22FO	22	5.3	57	48	34	34	230	2.20
BM-A25FO	25	7.2	63	52	37	37	265	3.65
BM-A28FO	28	9.0	65	52	37	37	280	4.30

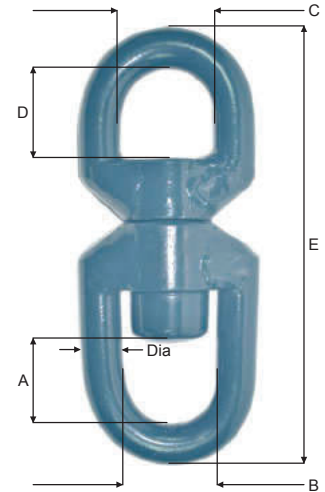


LIFTING & RIGGING COMPONENTS

SWIVELS

STEEL - BLUE PAINTED

Part No.	Diam.	WLL (5:1)	A	B	C	D	E	Weight
	mm	t	mm	mm	mm	mm	mm	kg
BM-A28ST	28	10.0	50	50	50	50	285	5.60
BM-A32ST	32	12.5	60	57	55	50	305	7.20
BM-A38ST	38	15.4	72	60	55	55	340	9.90

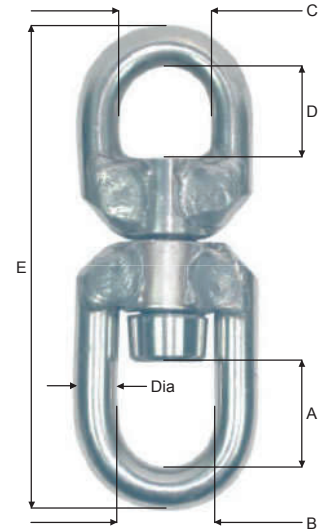


This data is for guidance purposes only and subject to change without prior notice.

LIFTING & RIGGING COMPONENTS

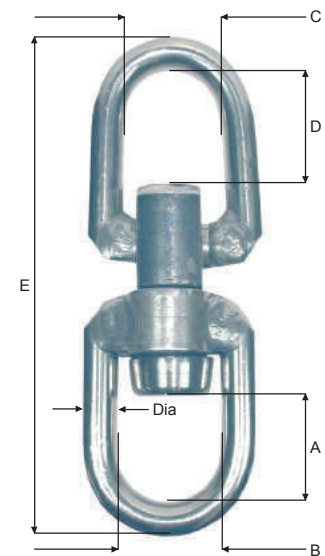
SWIVELS STAINLESS STEEL

Part No.	Diam.	WLL (5:1)	A	B	C	D	E	Weight
	mm	t	mm	mm	mm	mm	mm	kg
BM-A06SS	06	0.27	14	14	14	14	64	0.05
BM-A08SS	08	0.50	19	19	19	19	93	0.14
BM-A10SS	10	1.10	30	28	20	20	110	0.23
BM-A12SS	13	1.60	29	28	27	30	140	0.36
BM-A16SS	16	3.20	43	38	35	47	180	0.89
BM-A19SS	19	4.70	45	39	38	40	205	1.80
BM-A19SSL	19	4.70	45	39	38	63	230	1.85
BM-A22SS	22	6.30	45	40	40	42	222	2.25
BM-A22SSL	22	6.30	45	40	40	65	250	2.40
BM-A25SS	25	8.30	52	50	42	52	278	4.10
BM-A25SSL	25	8.30	52	47	47	84	300	4.30
BM-A32SS	32	12.00	60	50	50	98	350	8.15
BM-A38SS	3	18.00	72	58	58	112	390	13.00



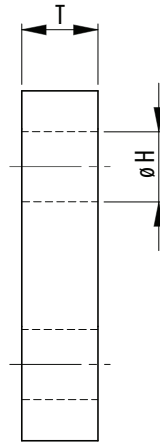
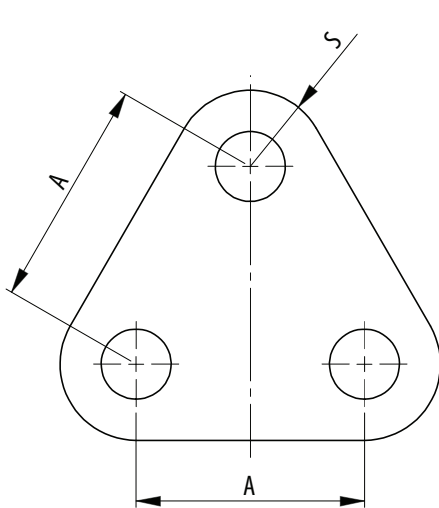
STAINLESS STEEL - FLEX

Part No.	Diam.	WLL (5:1)	A	B	C	D	E	Weight
	mm	t	mm	mm	mm	mm	mm	kg
BM-A12SSF	13	1.6	30	28	28	34	160	0.56
BM-A16SSF	16	3.2	41	38	37	48	200	1.20
BM-A19SSF	19	4.7	44	40	40	54	235	2.00
BM-A22SSF	22	6.3	44	40	40	55	255	2.90
BM-A25SSF	25	8.3	55	50	45	70	320	4.70
BM-A28SSF	28	10.4	55	50	50	80	330	6.14
BM-A32SSF	32	12.0	55	55	54	93	360	9.20
BM-A38SSF	38	18.0	62	58	60	110	410	14.60
BM-A45SSF	45	28.0	75	70	70	115	515	24.00



LIFTING & RIGGING COMPONENTS

ROPEBLOCK TRIANGLE PLATES



Part No.	WLL	MBL	ØH	T	S	Weight
	t	t	mm	mm	mm	kg
TP 25.23.2	2	10	23	25	25	2
TP 30.30.3	3	15	30	30	30	3
TP 35.39.5	5	25	39	35	40	5
TP 45.48.8	8	40	48	45	50	10
TP 50.52.10	10	50	52	50	55	15

Minimum Ultimate Strength = 5 x WLL

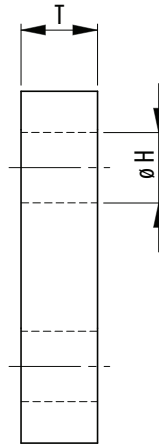
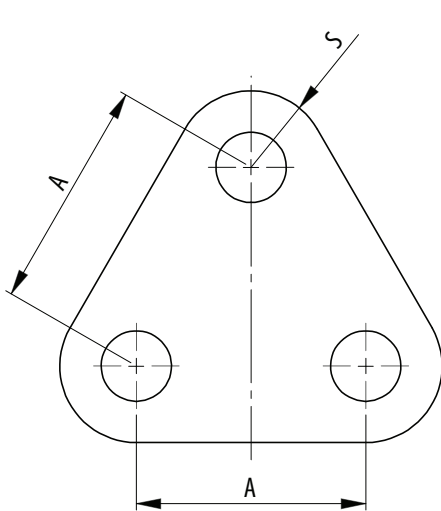
- Other sizes possible
- Painted Blue - RAL 5017
- Material certificate according EN 10204 3.1 included

This data is for guidance purposes only and subject to change without prior notice.

LIFTING & RIGGING COMPONENTS

ROPEBLOCK

TRIANGLE PLATES: HIGH TENSILE PLATES



Part No.	WLL	MBL	ØH	T	S	Weight
	t	t	mm	mm	mm	kg
TP 40.35.9.5	9.5	47.5	35	40	35	5
TP 40.40.12	12	60	40	40	40	6.5
TP 45.42.13.5	13.5	67.5	42	45	42.5	8.5
TP 45.45.17	17	85	45	45	50	9.5
TP 50.55.25	25	125	55	50	65	13.5
TP 60.60.35	35	175	60	60	70	19
TP 80.75.55	55	275	75	80	85	37.5
TP 90.90.85	85	425	90	90	110	62
TP 110.105.120	120	600	105	110	130	95
TP 130.115.150	150	750	115	130	135	133
TP 140.115.175	175	875	115	140	145	163
TP 150.140.200	200	1000	140	150	160	282
TP 170.150.250	250	1250	150	170	175	413
TP 170.160.300	300	1500	160	170	230	606
TP 200.180.400	400	2000	180	200	260	964
TP 200.200.500	500	2500	200	200	310	1234
TP 250.220.600	600	3000	220	250	310	1640
TP 250.230.700	700	3500	230	250	340	1927
TP 250.235.800	800	4000	235	250	380	2265
TP 280.245.900	900	4500	245	280	410	2910
TP 300.255.1000	1000	5000	255	300	430	3434
TP 320.285.1250	1250	6250	285	320	490	4719
TP 320.305.1500	1500	7500	305	320	570	6064

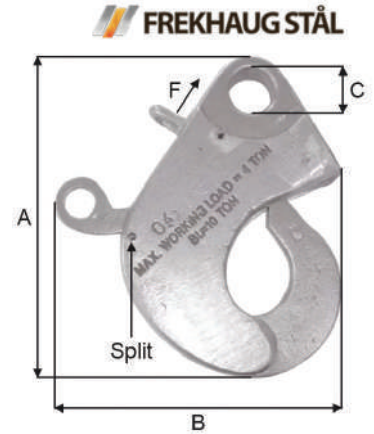
Minimum Ultimate Strength = 5 x WLL

- Other sizes possible
- Painted Blue - RAL 5017
- Material certificate according EN 10204 3.1 included

LIFTING & RIGGING COMPONENTS

BOSS QUICK RELEASE HOOK - STAINLESS STEEL

Part No.	WLL 5:1	A	B	C	F	Weight
	ton	mm	mm	mm	mm	kg
BM-BOSS RH2	2.0	165	138	23	v. 500 kg = 10 kg v. 900 kg = 13 kg	1.6



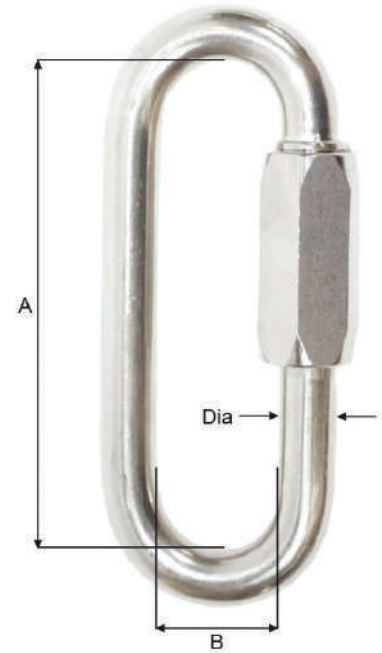
This data is for guidance purposes only and subject to change without prior notice.

LIFTING & RIGGING COMPONENTS

QUICK LINKS STAINLESS STEEL

Part No.	Diam.	WLL (5:1)	A	B	Opening	Weight
	mm	t	mm	mm	mm	kg
BM-DQ04SSO	4	0.28	31	11	5.0	1.2
BM-DQ05SSO	5	0.45	39	13	6.5	2.1
BM-DQ06SSOK	6	0.65	45	14	7.5	3.5
BM-DQ06SSOL	6	0.58	59	14	15.0	4.2
BM-DQ08SSOK	8	1.10	58	17	10.0	7.7
BM-DQ08SSOL	8	0.98	72	17	18.0	9.3
BM-DQ10SSO	10	1.60	85	20	20.0	16.0
BM-DQ12SSO	12	2.20	100	23	23.0	27.0
BM-DQ14SSO	14	3.10	115	27	27.0	42.0
BM-DQ16SSO	16	4.00	150	38	28.0	75.0
BM-DQ19SSO	19	5.50	175	43	32.0	120.0
BM-DQ22SSO	22	7.00	210	60	36.0	190.0

Can be supplied with certificate



ALLOY LIFTING CHAIN & FITTINGS

TWO

WORKING LOAD LIMIT - G100	21
WIRECO GRADE 100 ALLOY CHAIN	22
G100 MASTER LINK	23
G100 GUNNEO OVERSIZED MASTER LINK MFX.	24
G100 MULTU MASTER LINK ASSEMBLY	25
G100 CONNECTING LINK	26
G100 EYE GRAB HOOK	27
G100 CLEVIS GRAB HOOK	28
G100 CLEVIS GRAB HOOK WITH SAFETY PIN.	29
G100 CLEVIS SELF LOCKING HOOK.	30
G100 EYE SWIVEL SELF LOCKING HOOK WITH BALL BEARING	31
G100 CLEVIS SLING HOOK WITH LATCH	32
G100 EYE SLING HOOK WITH LATCH	33
TRIGGER KIT	34
SAFETY LATCH	34
CONCRETE LIFTING CLUTCH	35
G80 CONTAINER HOOK	36
G100 CHAIN SLING WLL SAFETY TAG	37

This data is for guidance purposes only and subject to change without prior notice.

ALLOY LIFTING CHAIN & FITTINGS

WORKING LOAD LIMIT CHART GRADE 100

SINGLE LEG SLINGS				2, 3 OR 4 LEG SLINGS			BASKET SLINGS		
Chain Size (mm)	Straight Sling	Adjustable Sling	Reeved Sling	Straight Sling			Reeved Sling Max 60°	1 Leg Max 60°	2 Leg Max 60°
				60°	90°	120°			
6	1.4	1.4	1.1	2.4	2.0	1.4	1.8	1.8	3.2
7	1.9	1.9	1.4	3.3	2.7	1.9	2.5	2.5	4.3
8	2.5	2.5	1.9	4.3	3.5	2.5	3.3	3.3	5.6
10	4.0	4.0	3.0	6.9	5.6	4.0	5.2	5.2	9.0
13	6.7	6.7	5.0	11.6	9.4	6.7	8.7	8.7	15.1
16	10.0	10.0	7.5	17.3	14.1	10.0	13.0	13.0	22.5
20	16.0	16.0	12.0	27.7	22.6	16.0	20.8	20.8	36.0
22	19.0	19.0	14.3	32.9	26.8	19.0	24.7	24.7	42.8
26	26.5	26.5	19.9	45.8	37.4	26.5	34.5	34.5	59.6
32	40.0	40.0	30.0	69.2	56.4	40.0	52.0	52.0	90.0

TWO

ALLOY LIFTING CHAIN & FITTINGS

WIRECO GRADE 100 ALLOY CHAIN

- Grade 100 Chain - 25% stronger than Grade 80
- Available in sizes 8 – 32mm
- Blue electrophoresis / powder coated finish
- Marked with traceability code and manufacturers ID
- Suitable for lifting operations
- Complies with AS 2321:2014
- Safety factor – 4:1

Product Code	Chain Diameter	WLL
	mm	T
CHAIN G100 08	8	2.5
CHAIN G100 10	10	4.0
CHAIN G100 13	13	6.7
CHAIN G100 16	16	10.0
CHAIN G100 20	20	16.0
CHAIN G100 22	22	19.0
CHAIN G100 26	26	27.0
CHAIN G100 32	32	40.0



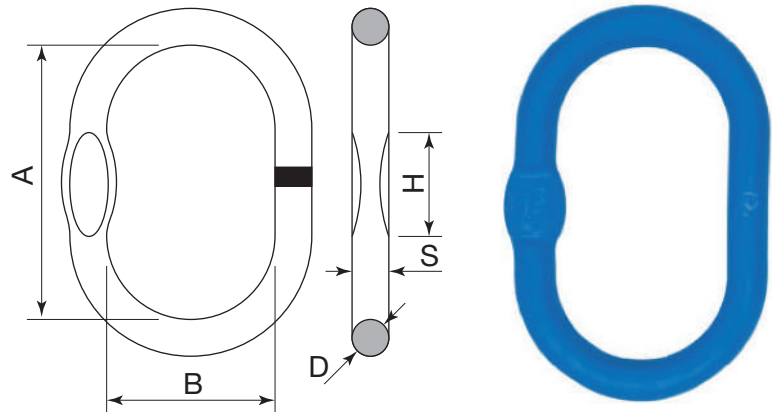
TWO

This data is for guidance purposes only and subject to change without prior notice.

ALLOY LIFTING CHAIN & FITTINGS

WIRECO GRADE 100 G100 MASTER LINK

- Forged super alloy steel - Quenched and tempered
- Suitable for G100 chain
- 25% stronger than G80
- Complies with AS3776
- Safety factor – 4:1
- Test certificates available upon request



ITEM No.	Size	WLL (4:1)	A	B	D	S x H	Weight
	mm	t	mm	mm	mm	mm	kg
LT-MLK-08S6D-G10	8/6	4.3	120	70	13	7 x 25	0.4
LT-MLK-10S8D-G10	10/8	6.9	140	80	17	8 x 28	0.7
LT-MLK-13S10D-G10	13/10	11.6	160	95	22	11 x 35	1.5
LT-MLK-16S13D-G10	16/13	17.3	180	100	27	14 x 46	2.51
LT-MLK-20S16D-G10	20/16	27.7	240	140	32	17 x 55	5.1
LT-MLK-22S20D-G10	22/20	32.9	250	150	38	21 x 65	7.2
LT-MLK-26S22D-G10	26/22	36.3	250	150	41	23 x 73	8.3
LT-MLK-32S26D-G10	32/26	45.8	300	180	48	27 x 85	13.6
LT-MLK-36S32D-G10	32D	69.2	400	200	60	-	27.01

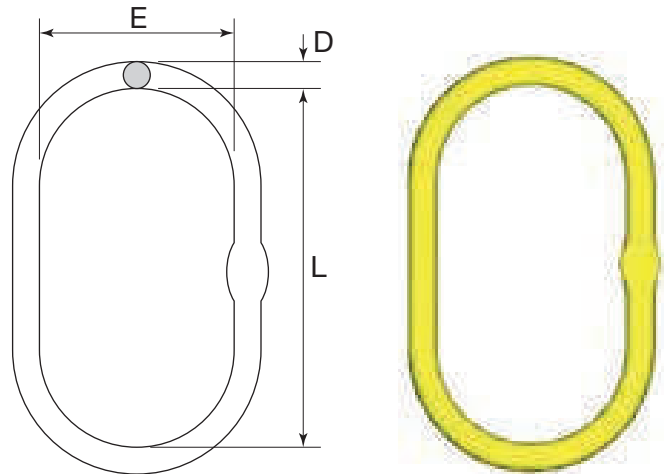
ALLOY LIFTING CHAIN & FITTINGS

WIRECO GRADE 100

G100 GUNNEBO OVERSIZED MASTER LINK MFX

TWO

- Forged super steel alloy - Quenched and tempered
- Suitable for G100 chain
- 25% stronger than G80
- Complies with AS3776
- Test certificates available upon request



ITEM No.	WLL (SF 5:1)		For chain 1-leg	For chain 2-leg	L	E	D	Weight
	EN 1677-4	A952/A952M/AS 3775.2						
	t	t			mm	mm	mm	kg
GUN-MFX-108-10	4.25	5.2	8, 10	8	340	180	25	3.7
GUN-MFX-1310-G10	7.5	8.0	13	10	340	180	28	4.7
GUN-MFX-1613-G10	11.2	13.6	16	13	340	180	34	7.1
GUN-MFX-2016-G10	16	20.6	20	16	340	180	40	9.6

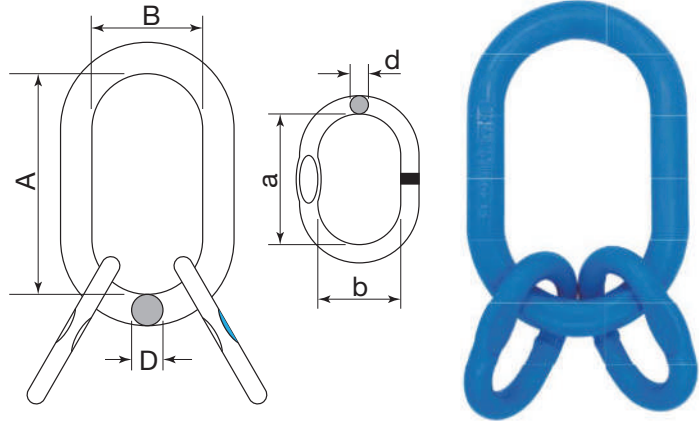
Fulfills requirements in: EN 1677:2008 (WLL +25%), ASTM A952/A952M-02, AS 3775:2014 and AS 3776:2015.

This data is for guidance purposes only and subject to change without prior notice.

ALLOY LIFTING CHAIN & FITTINGS

WIRECO GRADE 100 G100 MULTI MASTER LINK ASSEMBLY

- Super alloy steel - Quenched and tempered
- Suitable for G100 chain
- 25% stronger than G80
- Complies with AS3776
- Safety factor – 4:1
- Test certificates available upon request



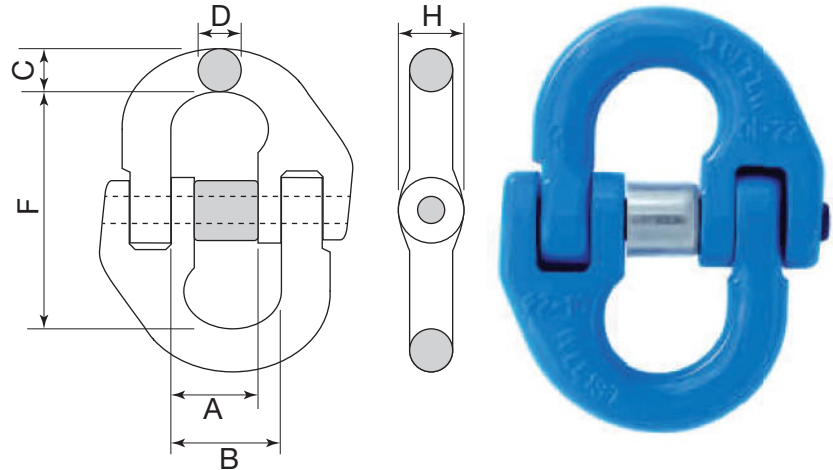
ITEM No.	Size	WLL	A	B	D	a	b	d	Weight
	mm	t	mm	mm	mm	mm	mm	mm	kg
LT-MLA-08-G10	8	5.3	160	90	23	70	34	16.5	2.33
LT-MLA-10-G10	10	8	180	100	27	85	40	19	3.7
LT-MLA-13-G10	13	14	200	110	33	115	50	23	6.5
LT-MLA-16-G10	16	21.2	260	140	36	140	65	27	10.1
LT-MLA-20-G10	20	33.6	350	190	50	180	90	33	22.8
LT-MLA-22-G10	22	39.9	350	190	50	180	100	36	26
LT-MLA-26-G10	26	56	400	200	60	180	100	45	42.6
LT-MLA-32-G10	32	85	460	250	72	200	110	50	66.7

ALLOY LIFTING CHAIN & FITTINGS

WIRECO GRADE 100 G100 CONNECTING LINK

TWO

- Forged super steel alloy - Quenched and tempered
- Suitable for G100 chain
- 25% stronger than G80
- Complies with AS3776
- Safety factor - 4:1
- Test certificates available upon request



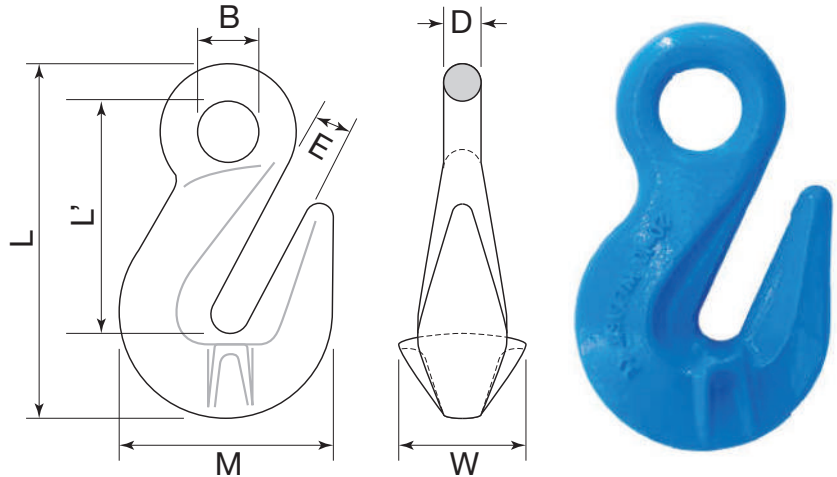
ITEM No.	Size	WLL	A	B	C	D	K	H	Weight
	mm	t	mm	mm	mm	mm	mm	mm	kg
LT-CNL-08-G10	8	2.5	18.5	22.7	10.5	10	63	14	0.18
LT-CNL-10-G10	10	4	23	27.7	12.6	12.6	71	18	0.34
LT-CNL-13-G10	13	6.7	28	33.2	16.5	16.5	92.5	23	0.68
LT-CNL-16-G10	16	10	33.5	39	20	20	106.5	29.5	1.22
LT-CNL-20-G10	20	16	42	47.3	25	25	123	35.5	2.13
LT-CNL-22-G10	22	19	48	55	27	27	137.5	39	3
LT-CNL-26-G10	26	26.5	61	68	32	32	163	45	5.22
LT-CNL-32-G10	32	39.3	80	87	40	40	197	54	9.55

This data is for guidance purposes only and subject to change without prior notice.

ALLOY LIFTING CHAIN & FITTINGS

WIRECO GRADE 100 G100 EYE GRAB HOOK

- Super alloy steel - Quenched and tempered
- Suitable for G100 chain
- 25% stronger than G80
- Complies with AS3776
- Safety factor – 4:1
- Test certificates available upon request



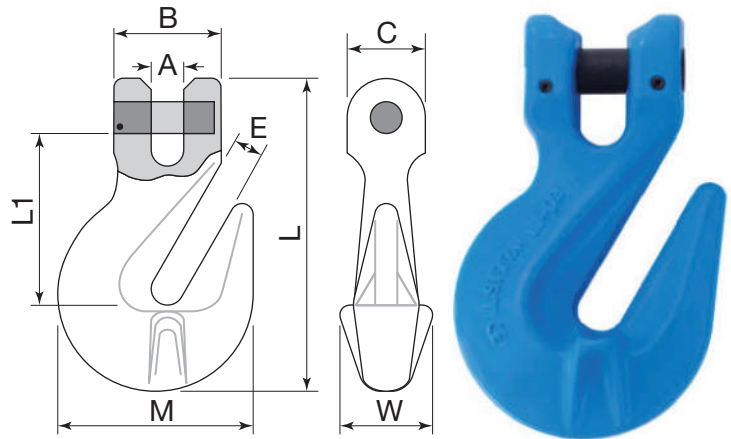
ITEM No.	Size	WLL	E	B	D	M	L	L'	Weight
	mm	t	mm	mm	mm	mm	mm	mm	kg
LT1-EGK-08-G10	8	2.5	11	17.5	9.5	53	93	61	0.3
LT1-EGK-10-G10	10	4	13.5	22	14	74	129	85	0.79
LT1-EGK-13-G10	13	6.7	17	27	18.5	96	166	104	1.67
LT1-EGK-16-G10	16	10	19	36	22	116	186	119	2.74
LT1-EGK-20-G10	20	16	25	44	23	143	225	146	4.72
LT1-EGK-22-G10	22	19	27	48.5	26	160.5	260.5	165.5	8.2
LT1-EGK-26-G10	26	26.5	34	52	34	190	311	204	11.35
LT1-EGK-32-G10	32	40	41	64	40	229	373	246	20.65

ALLOY LIFTING CHAIN & FITTINGS

WIRECO GRADE 100 G100 CLEVIS GRAB HOOK

TWO

- Forged super alloy steel - Quenched and tempered
- Suitable for G100 chain
- 25% stronger than G80
- Complies with AS3776
- Safety factor – 4:1
- Test certificates available upon request



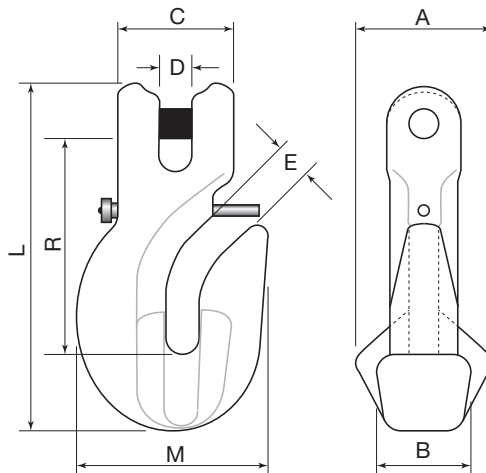
ITEM No.	Size	WLL	A	B	C	E	M	W	L1	L	Weight
	mm	t	mm	mm	mm	mm	mm	mm	mm	mm	kg
LT1-CGK-08-G10	8	2.5	9.5	36	24	11	54	33.5	53	93	0.34
LT1-CGK-10-G10	10	4	12.5	46	29.5	13.5	72	42	73	127	0.82
LT1-CGK-13-G10	13	6.7	15	59	37	15	96	53.5	92	164	1.75
LT1-CGK-16-G10	16	10	18.5	70	46	19	115	74	99	188	2.88
LT1-CGK-20-G10	20	16	24	86	52	24	142	74	123	121	4.84
LT1-CGK-22-G10	22	19	27	100	61	27	159	90	141	250	8.3
LT1-CGK-26-G10	26	26.5	30	110	70	34	190	110	187	320	13.72
LT1-CGK-32-G10	32	40	35	150	80	41	225	130	213	378	25.5

This data is for guidance purposes only and subject to change without prior notice.

ALLOY LIFTING CHAIN & FITTINGS

WIRECO GRADE 100 G100 CLEVIS GRAB HOOK WITH SAFETY PIN

- Forged super alloy steel - Quenched and tempered
- Suitable for G100 chain
- 25% stronger than G80
- Complies with AS3776
- Safety factor – 4:1
- Test certificates available upon request



TWO

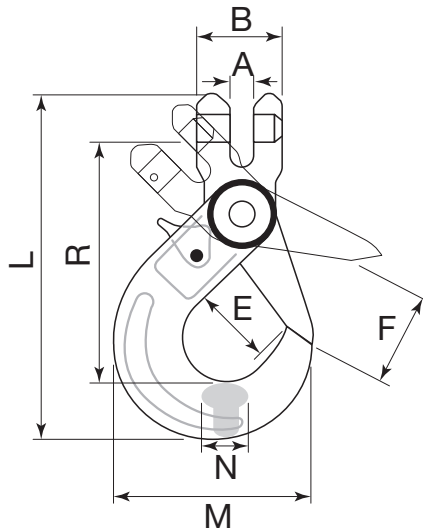
ITEM No.	Size	WLL	A	B	C	R	D	E	L	M	Weight
	mm	t	mm	mm	mm	mm	mm	mm	mm	mm	kg
LT1-CGKP-08-G10	8	2.5	35	25	38	66	10	10.5	109	58	0.58
LT1-CGKP-10-G10	10	4	44	32	46	82	12	13	134	71.6	1.04
LT1-CGKP-13-G10	13	6.7	57	40	59.5	107	15	15.5	175.5	96	2.6

ALLOY LIFTING CHAIN & FITTINGS

WIRECO GRADE 100 G100 CLEVIS SELF LOCKING HOOK

TWO

- Forged super alloy steel - Quenched and tempered
- Suitable for G100 chain
- 25% stronger than G80
- Positive lock latch is self-locking when hook is loaded
- Complies with AS3776
- Safety factor - 4:1
- Test certificates available upon request



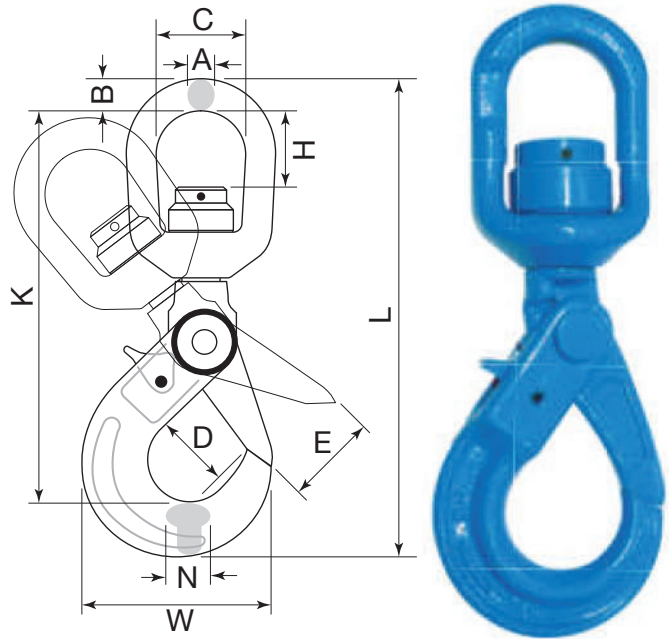
ITEM No.	Size	WLL	A	B	E	F	R	M	N	L	Weight
	mm	t	mm	mm	mm	mm	mm	mm	mm	mm	kg
LT2-CSK-08-G10	8	2.5	9.5	36	36	40	121	90	20	163	0.9
LT2-CSK-10-G10	10	4	12	46	45	50	144	108	26	196.5	1.6
LT2-CSK-13-G10	13	6.7	15	59	53.5	66	182	137	32.5	251	2.9
LT2-CSK-16-G10	16	10	18.5	70	61	75	220	168	38	303	5.8
LT2-CSK-20-G10	20	16	25	85	76.5	80	235	190	50	337	8.6
LT2-CSK-22-G10	22	19	25.5	98	80	104.6	271	202	52	386	12.1
LT2-CSK-26-G10	26	26.5	30	118	99	107	343	251	60	484	21.15

This data is for guidance purposes only and subject to change without prior notice.

ALLOY LIFTING CHAIN & FITTINGS

WIRECO GRADE 100 G100 EYE SWIVEL SELF LOCKING HOOK WITH BALL BEARING

- Forged super alloy steel - Quenched and tempered
- Suitable for G100 chain
- 25% stronger than G80
- Positive lock latch is self locking when hook is loaded
- Complies with AS3776
- Safety factor – 4:1
- Test certificates available upon request



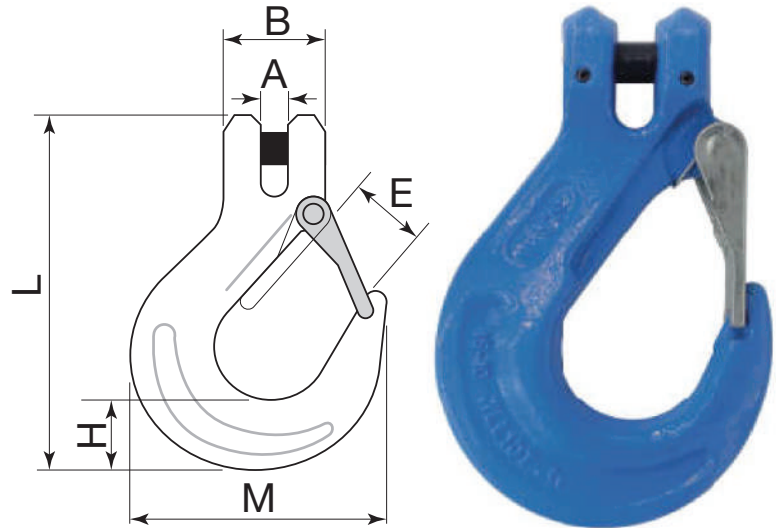
ITEM No.	Size	WLL	A	B	C	D	E	N	H	K	L	W	Weight
	mm	t	mm	mm	mm	mm	mm	mm	mm	mm	mm	mm	kg
LT2-ESKB-08-G10	8	2.5	13	15	41	35.5	40	20	39	202	243	90	1.21
LT2-ESKB-10-G10	10	4	15.5	17.5	48	45	48	26	48	244	289	108	2.2
LT2-ESKB-13-G10	13	6.7	17	19	55	52.5	63	32.5	57	292	351	138	4.4
LT2-ESKB-16-G10	16	10	21.5	26	62	62	75	38	62	346	422	170	7.48
LT2-ESKB-20-G10	20	16	26.5	28.5	76	76	80	50	72	396	487	191	13.75
LT2-ESKB-22-G10	22	19	33	33	97	79	95	52	97	465	563	208	18.81

ALLOY LIFTING CHAIN & FITTINGS

WIRECO GRADE 100 G100 CLEVIS SLING HOOK WITH LATCH

TWO

- Forged super alloy steel - Quenched and tempered
- Suitable for G100 chain
- 25% stronger than G80
- Complies with AS3776
- Safety factor – 4:1
- Test certificates available upon request



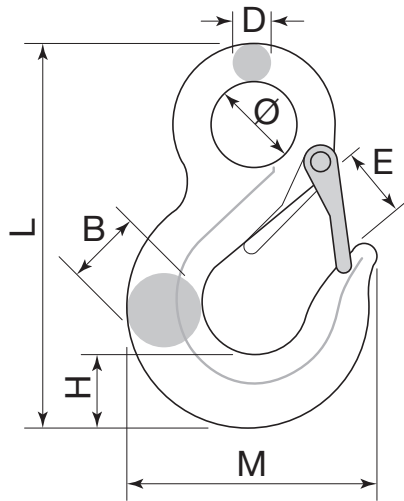
ITEM No.	Size	WLL	A	B	E	H	M	L	Weight
	mm	t	mm	mm	mm	mm	mm	mm	kg
LT3-CSH-08-G10	8	2.5	9.5	37	25	27.5	88	134	0.7
LT3-CSH-10-G10	10	4	12	48	28	33.5	105.5	161.5	1.3
LT3-CSH-13-G10	13	6.7	15	59	38	42	134	203	2.3
LT3-CSH-16-G10	16	10	18.5	70	44	50	160.5	248	3.6
LT3-CSH-20-G10	20	16	25	85	52	56	190.5	297	7
LT3-CSH-22-G10	22	19	27	100	66	62	214.5	3260	12.1

This data is for guidance purposes only and subject to change without prior notice.

ALLOY LIFTING CHAIN & FITTINGS

WIRECO GRADE 100 G100 EYE SLING HOOK WITH LATCH

- Forged super alloy steel - Quenched and tempered
- 25% stronger than G80
- Complies with AS3776
- Safety factor - 4:1
- Test certificates available upon request



ITEM No.	Size	WLL	B	D	E	H	Ø	M	L	Weight
	mm	t	mm	mm	mm	mm	mm	mm	mm	kg
LT3-ESH-26-G10	26	26.5	60	35	73	75	70	245	376	12.2
LT3-ESH-32-G10	32	39.3	71	39	87	89	81.5	270	458	17.5

ALLOY LIFTING CHAIN & FITTINGS

TRIGGER KIT TO SUIT WIRECO SELF LOCKING HOOKS GRADE 100

TWO

ITEM No.	Size	ITEM No.	Size
	mm		mm
LT2-SLK-08R-G10	8-10	LT2-SLK-16R-G10	16-10
LT2-SLK-10R-G10	10-10	LT2-SLK-20R-G10	20-10
LT2-SLK-13R-G10	13-10	LT2-SLK-22R-G10	22-10



1 Set = Self Colour Trigger + Black Spring + Black Spring Type Straight Pin

SAFETY LATCH TO SUIT WIRECO SLING HOOKS WITH LATCH GRADE 100

ITEM No.	Size	ITEM No.	Size
	mm		mm
LT3-SLK-08R-G10	8-10	LT3-SLK-20R-G10	20-10
LT3-SLK-10R-G10	10-10	LT3-SLK-22R-G10	22-10
LT3-SLK-13R-G10	13-10	LT3-SLK-26R-G10	26-10
LT3-SLK-16R-G10	16-10	LT3-SLK-32R-G10	32-10



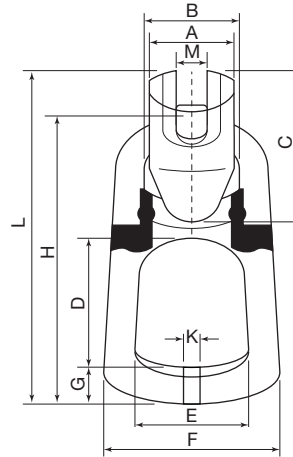
1 Set = Galvanised Cast Latch + Galvanised Screw + Galvanised Nut

This data is for guidance purposes only and subject to change without prior notice.

ALLOY LIFTING CHAIN & FITTINGS

WIRECO CONCRETE LIFTING CLUTCH

- Conforms to AS3850
- Safety Factor - 5:1
- Marked with WLL and serial number
- Individual Test Certificate supplied with each unit



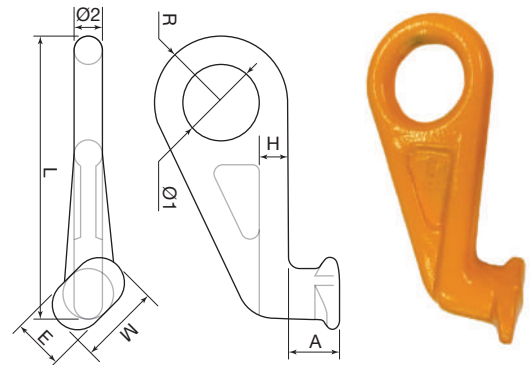
TWO

Part No.	WLL	A	B	C	D	E	F	H	M	L	G	K	Weight
	T	mm	mm	mm	mm	mm	mm	mm	mm	mm	mm	mm	Kg
LT-SL013	1.3	33	42	80.4	70.5	45	73	160	11	186	20.5	12.5	0.89
LT-SL025	2.5	41	49	102	85	57	88	188	16	227	27	14	1.30
LT-SL050	5	55	70	133	88	69	110	242	22	282	35	18	3.24
LT-SL100	10	73	92	176	116	83	161	342	30	391	51	27	10.00
LT-SL200	20	110	114.5	224	133.5	107.5	182	437	42	497	77	31	20.40
LT-SL320	32	154	172	307	189	164	272	560	52	661	102	40	46.50

ALLOY LIFTING CHAIN & FITTINGS

WIRECO G80 CONTAINER HOOK

- Conforms to AS3776
- Safety Factor - 4:1
- Suitable for lifting containers in their lower fittings
- Test certificates are available upon request



Part No.	Size	WLL (4:1)	A	M	H	E	R	Ø1	Ø2	L	Weight
	mm	t	mm	mm	mm	mm	mm	mm	mm	mm	kg/PC
LT-A-L45-X	Turn 45° Left	12.5	46	75	166	48	60	70	25	265	4.125
LT-A-R45-X	Turn 45° Right	12.5	46	75	166	48	60	70	25	265	4.125

This data is for guidance purposes only and subject to change without prior notice.

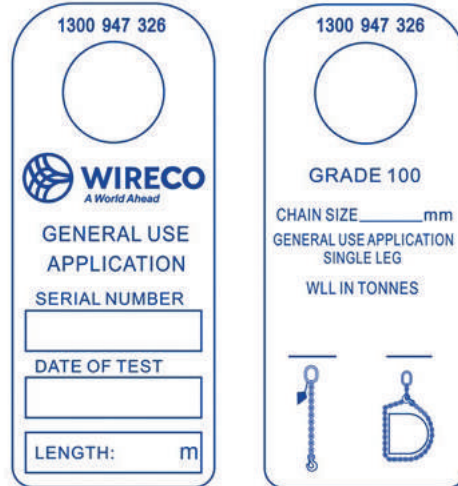
ALLOY LIFTING CHAIN & FITTINGS

WIRECO G100 CHAIN SLING WLL SAFETY TAG

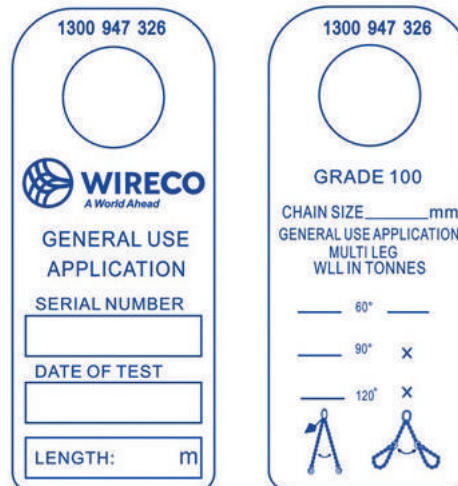
Part No.

LT-TAG100-SINGLE

LT-TAG100-MULTI



Single Leg



Multi Leg

03 MATERIALS HANDLING

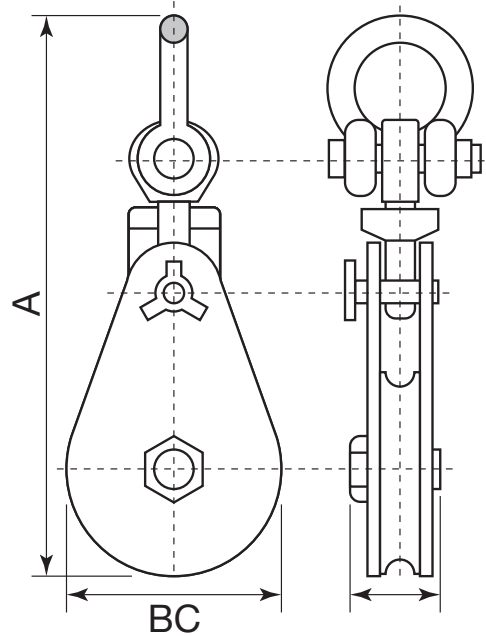
WIRECO HEAVY DUTY SNATCH BLOCKS.....	39
WIRECO LOAD SKATES	40 to 41

MATERIALS HANDLING

WIRECO HEAVY DUTY SNATCH BLOCK

Capacities: 2 tonnes to 50 tonnes

- Heavy duty construction
- Fitted with grease nipples
- Swivel shackle head fitting
- Conforms to AS2089



THREE

ITEM No.	WLL (5:1)	Sheave Diameter	Wire Rope Diameter	A	B	C	Unit Weight
	t	mm	mm	mm	mm	mm	kg
LT-BS020	2	75	8 - 10	290	83	75	4
LT-BS040	4	150	10 - 13	415	160	75	9
LT-BS080	8	200	16 - 18	530	210	95	19
LT-BS120	12	250	20 - 22	680	260	115	35
LT-BS150	15	300	24 - 26	890	310	135	65
LT-BS220	22	355	26 - 32	960	365	140	90
LT-BS300	30	500	32 - 38	1230	520	155	210
LT-BS500	50	600	44 - 52	1585	630	210	400

MATERIALS HANDLING

WIRECO LOAD SKATES 360° MULTI DIRECTION MOVING SKATES

- Heavy duty construction
- Moves in any direction - 360°
- Suitable for industrial applications
- Moves large machinery
- Available with handles
- Complete with load grip plate
- Protects painted floors



ITEM No.	Working Load	Dimensions	Handle	No. of Wheels	Weight
	t	mm			kg
LT-LS020-MD	2	520 x 420 x 112	No	3	21
LT-LS040-MD	4	595 x 470 x 112	No	5	34
LT-LS HANDLE	Handle to suit 2T and 4T Load Skates				

This data is for guidance purposes only and subject to change without prior notice.

MATERIALS HANDLING

WIRECO LOAD SKATES LOAD ROLLER SKATES

- Heavy duty construction
- Complete with swivel plate
- Suitable for industrial applications
- Nylon rollers allow for easy movement and protects floors



ITEM No.	Working Load	Dimensions	No. of Wheels	Weight
	t	mm		kg
LT-LS060-T	6	305 x 210 x 112	4	14
LT-LS120-T	12	510 x 210 x 112	8	28
LT-LS180-T	18	210 x 310 x 112	12	44

WIRECO LOAD SKATES MACHINERY MOVING SKATES - STEERING

- Heavy duty construction
- Suitable for industrial applications
- Moves large machinery
- Complete with handle
- Swivel plate included
- Protects painted floors



ITEM No.	Working Load	Dimensions	No. of Wheels	Weight
	t	mm		kg
LT-LS060-TH	6	280 x 423 x 115	8	27.4
LT-LS120-TH	12	750 x 450 x 110	12	65
LT-LS180-TH	18	780 x 550 x 110	18	95

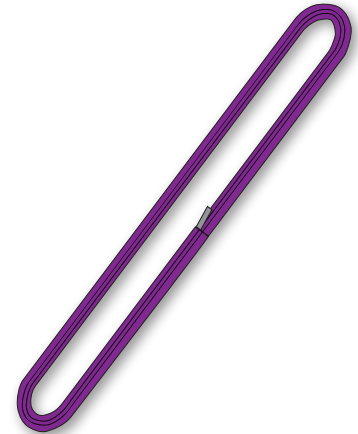
04 SYNTHETIC SLINGS

WIRECO ROUND SLINGS	42 to 46
WIRECO FLAT WEBBING SLINGS	47 to 48

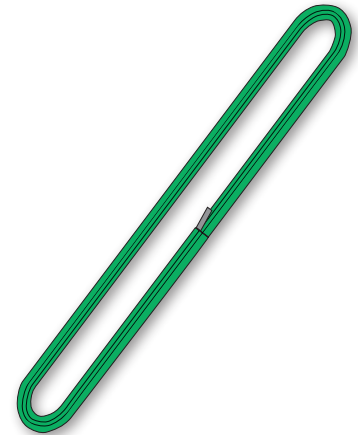
SYNTHETIC SLINGS

WIRECO ROUND SLINGS

Part No.	WLL	Length	Colour	Pack Qty
	t	m		per carton
LT-RS01X005	1	0.5	Violet	60
LT-RS01X01	1	1	Violet	50
LT-RS01X015	1	1.5	Violet	30
LT-RS01X02	1	2	Violet	30
LT-RS01X025	1	2.5	Violet	30
LT-RS01X03	1	3	Violet	20
LT-RS01X04	1	4	Violet	15
LT-RS01X05	1	5	Violet	12
LT-RS01X06	1	6	Violet	10
LT-RS01X08	1	8	Violet	8



Part No.	WLL	Length	Colour	Pack Qty
	t	m		per carton
LT-RS02X005	2	0.5	Green	50
LT-RS02X01	2	1	Green	30
LT-RS02X015	2	1.5	Green	25
LT-RS02X02	2	2	Green	20
LT-RS02X025	2	2.5	Green	16
LT-RS02X03	2	3	Green	15
LT-RS02X04	2	4	Green	10
LT-RS02X05	2	5	Green	8
LT-RS02X06	2	6	Green	8
LT-RS02X08	2	8	Green	5

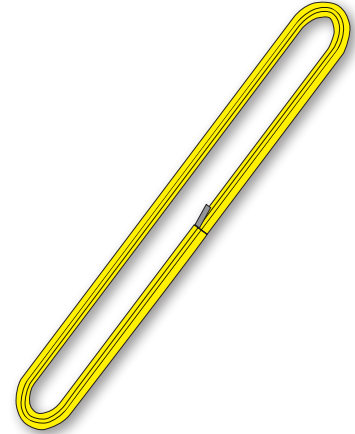


FOUR

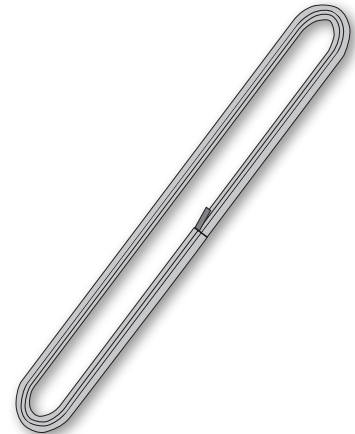
SYNTHETIC SLINGS

WIRECO ROUND SLINGS

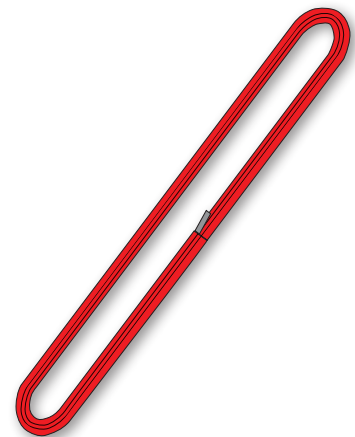
Part No.	WLL	Length	Colour	Pack Qty
	t	m		per carton
LT-RS03X005	3	0.5	Yellow	50
LT-RS03X01	3	1	Yellow	25
LT-RS03X02	3	2	Yellow	15
LT-RS03X03	3	3	Yellow	10
LT-RS03X04	3	4	Yellow	7
LT-RS03X05	3	5	Yellow	6
LT-RS03X06	3	6	Yellow	5
LT-RS03X08	3	8	Yellow	4



Part No.	WLL	Length	Colour	Pack Qty
	t	m		per carton
LT-RS04X01	4	1	Grey	20
LT-RS04X02	4	2	Grey	11
LT-RS04X03	4	3	Grey	6
LT-RS04X04	4	4	Grey	5
LT-RS04X05	4	5	Grey	5
LT-RS04X06	4	6	Grey	3
LT-RS04X08	4	8	Grey	3



Part No.	WLL	Length	Colour	Pack Qty
	t	m		per carton
LT-RS05X01	5	1	Red	15
LT-RS05X02	5	2	Red	10
LT-RS05X03	5	3	Red	6
LT-RS05X04	5	4	Red	4
LT-RS05X05	5	5	Red	4
LT-RS05X06	5	6	Red	3
LT-RS05X08	5	8	Red	3



This data is for guidance purposes only and subject to change without prior notice.

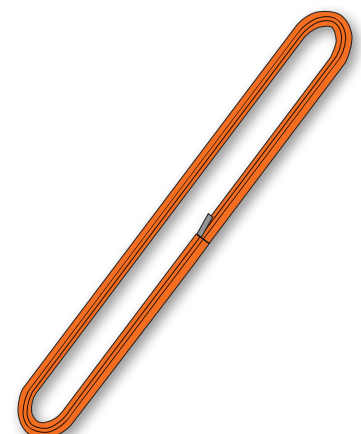
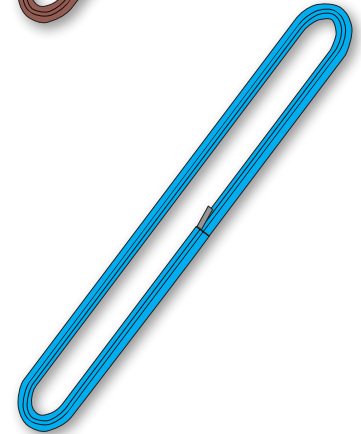
SYNTHETIC SLINGS

WIRECO ROUND SLINGS

Part No.	WLL	Length	Colour	Pack Qty
	t	m		per carton
LT-RS06X02	6	2	Brown	8
LT-RS06X03	6	3	Brown	4
LT-RS06X04	6	4	Brown	4
LT-RS06X06	6	6	Brown	2
LT-RS06X08	6	8	Brown	2

Part No.	WLL	Length	Colour	Pack Qty
	t	m		per carton
LT-RS08X03	8	3	Blue	4
LT-RS08X04	8	4	Blue	3
LT-RS08X05	8	5	Blue	2
LT-RS08X06	8	6	Blue	2
LT-RS08X08	8	8	Blue	1

Part No.	WLL	Length	Colour	Pack Qty
	t	m		
LT-RS10X04	10	4	Orange	2 per carton
LT-RS10X06	10	6	Orange	1 per carton
LT-RS10X08	10	8	Orange	1 per carton
LT-RS10X10	10	10	Orange	1 per carton

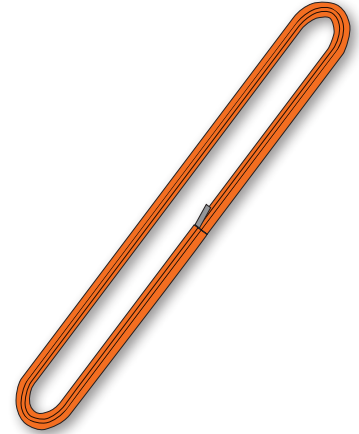


FOUR

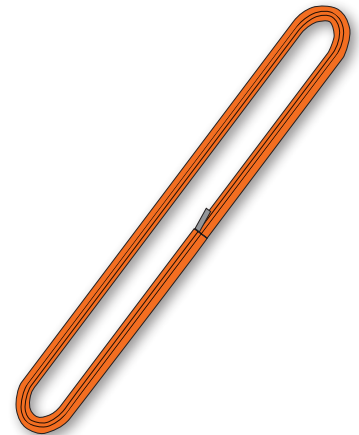
SYNTHETIC SLINGS

WIRECO ROUND SLINGS

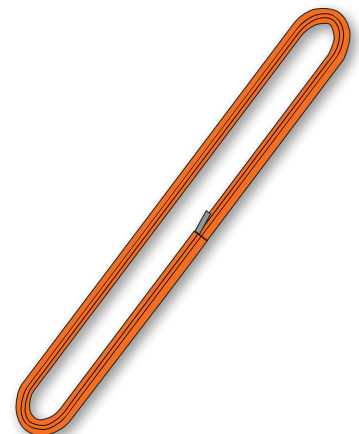
Part No.	WLL	Length	Colour	Pack Qty
	t	m		
LT-RS20X04	20	4	Orange	1 per carton
LT-RS20X06	20	6	Orange	1 per bag
LT-RS20X08	20	8	Orange	1 per bag
LT-RS20X10	20	10	Orange	1 per bag
LT-RS20X12	20	12	Orange	1 per bag
LT-RS20X15	20	15	Orange	1 per bag



Part No.	WLL	Length	Colour	Pack Qty
	t	m		
LT-RS30X06	30	6	Orange	1 per bag
LT-RS30X08	30	8	Orange	1 per bag
LT-RS30X10	30	10	Orange	1 per bag
LT-RS30X15	30	15	Orange	1 per bag



Part No.	WLL	Length	Colour	Pack Qty
	t	m		
LT-RS50X06	50	6	Orange	1 per bag
LT-RS50X08	50	8	Orange	1 per bag
LT-RS50X10	50	10	Orange	1 per bag
LT-RS50X12	50	12	Orange	1 per bag



This data is for guidance purposes only and subject to change without prior notice.

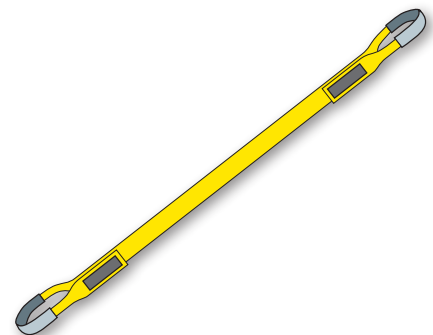
SYNTHETIC SLINGS

WIRECO FLAT WEBBING SLINGS

Part No.	WLL	Length	Colour	Pack Qty
	t	m		per carton
LT-RST01X005	1	0.5	Violet	60
LT-RST01X01	1	1	Violet	40
LT-RST01X02	1	2	Violet	35
LT-RST01X03	1	3	Violet	32
LT-RST01X04	1	4	Violet	24
LT-RST01X05	1	5	Violet	18
LT-RST01X06	1	6	Violet	15
LT-RST01X08	1	8	Violet	10

Part No.	WLL	Length	Colour	Pack Qty
	t	m		per carton
LT-RST02X01	2	1	Green	20
LT-RST02X02	2	2	Green	20
LT-RST02X03	2	3	Green	16
LT-RST02X04	2	4	Green	12
LT-RST02X05	2	5	Green	10
LT-RST02X06	2	6	Green	10
LT-RST02X08	2	8	Green	8

Part No.	WLL	Length	Colour	Pack Qty
	t	m		per carton
LT-RST03X01	3	1	Yellow	15
LT-RST03X02	3	2	Yellow	12
LT-RST03X03	3	3	Yellow	9
LT-RST03X04	3	4	Yellow	8
LT-RST03X05	3	5	Yellow	8
LT-RST03X06	3	6	Yellow	6
LT-RST03X08	3	8	Yellow	5

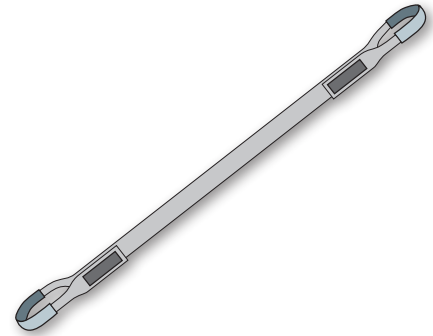


FOUR

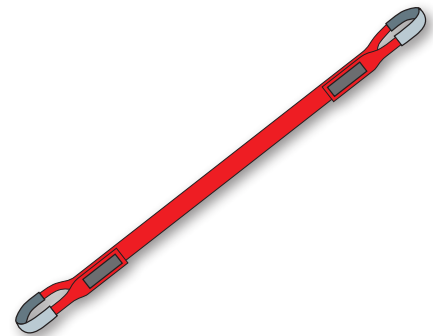
SYNTHETIC SLINGS

WIRECO FLAT WEBBING SLINGS

Part No.	WLL	Length	Colour	Pack Qty
	t	m		per carton
LT-RST04X02	4	2	Grey	6
LT-RST04X03	4	3	Grey	4
LT-RST04X04	4	4	Grey	5
LT-RST04X05	4	5	Grey	4
LT-RST04X06	4	6	Grey	4



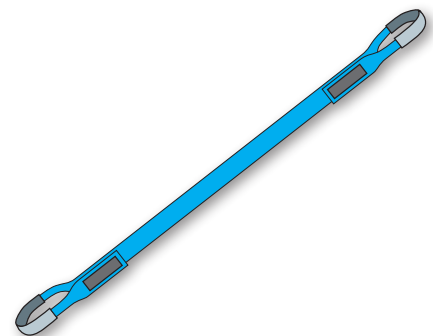
Part No.	WLL	Length	Colour	Pack Qty
	t	m		per carton
LT-RST05X04	5	4	Red	2
LT-RST05X05	5	5	Red	3
LT-RST05X06	5	6	Red	3
LT-RST05X08	5	8	Red	2
LT-RST05X10	5	10	Red	2



Part No.	WLL	Length	Colour	Pack Qty
	t	m		per carton
LT-RST06X04	6	4	Brown	3
LT-RST06X05	6	5	Brown	2
LT-RST06X06	6	6	Brown	2
LT-RST06X08	6	8	Brown	1



Part No.	WLL	Length	Colour	Pack Qty
	t	m		per carton
LT-RST08X06	8	6	Blue	2



This data is for guidance purposes only and subject to change without prior notice.

05 RECOVERY, TOWING & RESTRAINT

BIGTOW - RECOVERY TOWING STROP	50 to 51
WIRECO SOFT SHACKLES	52
WIRECO BODY TRAY RESTRAINT STROP.....	53

RECOVERY, TOWING & RESTRAINT

BIGTOW RECOVERY STROPS



SUPERSTRONG
ULTRALIGHT

Dyneema Vs Steel Wire & the RECOIL effects.

When steel wire breaks it poses a serious threat to anyone nearby. It can cause great bodily injury or even death. The combination of the enormous energy and heavy weight causes recoil with incredible force. That recoil is highly unpredictable, flying back in a snake-like manner.

On top of that, steel wire is made up of many small steel strands. When these strands are broken they create very sharp edges. Huge force, unpredictable behaviour and lots of sharp edges, this is the risk taken when working with steel cables. What's the alternative?

As many companies have already realised, worker safety is of paramount importance. There are ropes made with Dyneema® fibre that are not only easier to handle and more efficient, but they drastically reduce the risk posed to workers handling them. These ropes are 7 times lighter than steel at the same strength level.

If they were to ever break, the recoil force is considerably less than with heavy steel. When they break, they recoil in a linear fashion, eliminating the dangerous unpredictability of steel and, because they are made of soft Dyneema® fibre, there are no sharp edges flying about.



Made In Australia from genuine DSM® Dyneema®
Serial Numbers Allocated to Each Strop

This data is for guidance purposes only and subject to change without prior notice.

RECOVERY, TOWING & RESTRAINT

BIGTOW®

RECOVERY STROPS

HOW TO ORDER

When ordering BIGTOW Recovery Stropps always specify the following information:

1. Minimum Breaking Load (MBL).
2. Effective Length.
3. End Terminations (Protected Soft Eyes / Thimbles / Endless).
4. Any other special customer requests.

BENEFITS

- Manufactured from Lankoforce SK-78 Genuine DSM® Dyneema®
- Made to order on the Gold Coast, Australia.
- We can manufacture from 1t to 1300t and from 1m through to 200m and over
- Ideal substitute for heavy chains or steel wire rope recovery stropps
- Many protective sleeve options including polyester, braided, Heavy Duty Aramid & Kevlar
- Sleaving can be manufactured to be removed for inspection.
- Half the weight of a Kevlar Strop, and 1/8th of the weight of a steel wire strop.
- Extremely low stretch with limited, linear recoil, much safer than steel wires
- We can manufacture with many end termination options to suit your application



RECOVERY, TOWING & RESTRAINT

WIRECO SOFT SHACKLE

WireCo Soft Shackles are a synthetic fibre rope connection for use with the BIGTOW Recovery Towing Strop that replaces a steel shackle or similar hardware, providing a quicker and safer connection during towing.

- Quick and easy connection/disconnection
- High strength
- Lightweight allowing easy handling without machinery
- Chafing protection cover
- Replacement for heavy steel shackle connections
- Capacity based on minimum breaking strength
- Not to be used for lifting
- Available from sizes 4t through to 500t MBL.



RECOVERY, TOWING & RESTRAINT

WIRECO BODY TRAY RESTRAINT STROP

WireCo Truck Body Tray Restraint Strops are designed for performing maintenance on haul trucks within the mining and civil earthmoving industries.

Improved ergonomics allows the strop to be easily installed by one technician in a timely manner, compared to the traditional method of utilising heavy wire rope slings.

All WireCo Truck Body Tray Restraint Strops are proof load tested and comes complete with a safety tag advising the MBL (minimum breaking load), length, serial number and date of manufacture.



06 LOAD RESTRAINT

CHAIN – GRADE 70 GOLD TRANSPORT	55
RATCHET TIE DOWN ASSEMBLY	56
WELD ON LIFTING POINT	57

This data is for guidance purposes only and subject to change without prior notice.

LOAD RESTRAINT

CHAIN GRADE 70 GOLD TRANSPORT

- Specifically designed and tested for strength and durability, to suit the rigorous requirements of the transport industry
- Proof tested and marked with the relevant identification and shows appropriate lashing capabilities to enable selection of size and number of chains required to suit load
- Suitable for truck winches
- Not suitable for lifting applications
- Complies with AS/NZS 4344:2001

Product Code	Chain Size	Lashing Capacity
	mm	kg
CHAIN G70 08	8	3800
CHAIN G70 10	10	6000
CHAIN G70 13	13	9000



LOAD RESTRAINT

RATCHET TIE DOWN ASSEMBLY

Product Information

- Complies with AS4380
- Manufactured from high tenacity blue polyester webbing with two protective sleeves
- Heavy duty strap, hook grid keeper
- Not to be used for lifting



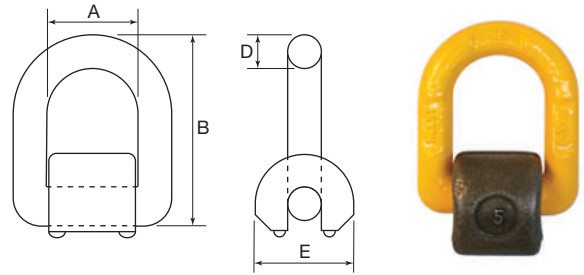
Product Code	Description	Box Quantity
LT-RTD25X05	Ratchet Tie Down 25mm x 5m LC 400Kg with Hook and Keeper	50
LT-RTD35X06	Ratchet Tie Down 35mm x 6m LC 1500Kg with Hook and Keeper	25
LT-RTD50X09	Ratchet Tie Down 50mm x 9m LC 2500Kg with Hook and Keeper	12

This data is for guidance purposes only and subject to change without prior notice.

LOAD RESTRAINT

WELD ON LIFTING POINTS

- Conforms to AS3776
- Safety Factor – 4:1
- Ideal for lifting and lashing
- Welding is to be performed by a qualified welder
- Test certificates are available upon request



Part No.	WLL	B.L	A	B	D	E	Weight
	Ton	Ton	mm	mm	mm	mm	kg
LT-B1-X	1.12	4.48	41	78.5	13	38	0.47
LT-B3-X	3.15	12.8	46	94	17	43	0.69
LT-B5-X	5.3	21.2	55	118	22	61	1.46
LT-B8-X	8	32	70	141	26.5	70.5	2.52

INDEX

B

Body Tray Restraint Straps 53

C

Chain Sling with Safety Tag 37

Concrete Lifting Clutch 35

Container Hook 36

G

Grade 100 Alloy Chain 22

Grade 100 Clevis Grab Hook 28

Grade 100 Clevis Grab Hook with Safety Pin. 29

Grade 100 Clevis Self Locking Hook 30

Grade 100 Clevis Sling Hook with Latch..... 32

Grade 100 Connecting Link 26

Grade 100 Eye Grab Hook 27

Grade 100 Eye Sling Hook with Latch..... 33

Grade 100 Eye Swivel Locking Hook
with Ball Bearing 31

Grade 100 Gunnebo Oversized Master Link..... 24

Grade 100 Master Link 23

Grade 100 Master Link Assembly 25

Grade 100 Working Load Limit Chart..... 21

Grade 70 Gold Transport Chain 55

Grade S Shackle, Bow Type Safety Pin 4

Grade S Shackle, Bow Type Screw Pin 3

Green Pin Bow Type, Safety Pin Shackle 6

Green Pin Bow Type, Screw Pin Shackle 5

Green Pin Heavy Duty Shackle 7

Green Pin Sling Shackle 8

Green Pin Super Bow Shackle 9

Green Pin Wide Mouth Bow Shackle 10

H

Heavy Duty Snatch Block 39

L

Load Roller Skates 41

M

Machinery Moving Skates, Steering 41

Multi Direction Moving Skate, 360°..... 40

Q

Quick Link, Stainless Steel 19

Quick Release Hook, Stainless Steel..... 18

R

Ratchet Tie Down Assembly..... 56

Recovery Straps, Bigtow..... 50 - 51

S

Slings, Flat Webbing 47 - 48

Slings, Round 43 - 46

Soft Shackles 52

Stainless Steel Swivel 15

Stainless Steel Swivel, Bronze Bushing..... 12

Stainless Steel Swivel, Flex 15

Stainless Steel Swivel,
Tapered Rolling Thrust Bearing, Greasable..... 12

Steel Swivel, Blue Painted..... 13

Steel Swivel, Blue Painted..... 14

Steel Swivel, Forged, Blue Painted 13

Steel Swivel, Tapered Rolling
Thrust Bearing, Greasable 12

T

Triangle Plate Ropeblock 16

Triangle Plate Ropeblock, High Tensile Plates..... 17

Trigger Kits, Grade 100 Self Locking Hooks..... 34

Trigger Kits, Grade 100 Sling Hooks with Latch.... 34

W

Weld On Lifting Points 11, 57

7 Demand Avenue
Arundel QLD 4214

Tel: 1300 947 326

POSTAL ADDRESS:

PO Box 3020 Helensvale Town Centre QLD 4212

 www.instagram.com/wirecoaustralia

 www.facebook.com/wirecoaustralia

 <https://www.linkedin.com/company/wireco-australia>

wireco.com.au