



WIRECO
A World Ahead



2022



Commercial Fishing Gear - Nets - Rope - Wire - Hardware - Accessories

Fishing Catalogue

 **1300 947 326**

 sales@wireco.com.au

7 Demand Avenue
Arundel QLD 4214

Tel: 1300 947 326

PO Box 3020
Helensvale Town Centre
QLD 4212

FIND US

 www.instagram.com/wirecoaustralia

 www.facebook.com/wirecoaustralia

 <https://www.linkedin.com/company/wireco-australia>

sales@wireco.com.au
wireco.com.au

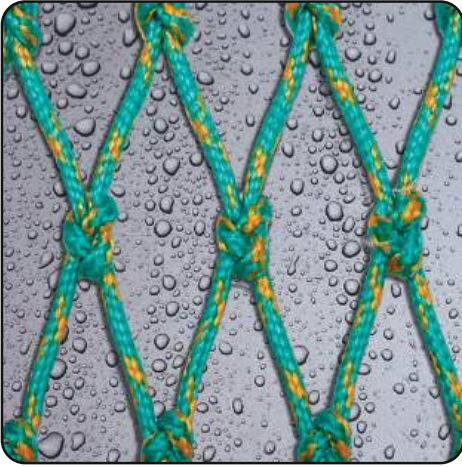
Contents

1	Netting, Twine & Needles	3
2	Fibre & Wire Rope	13
3	Fishing Chain	23
4	Footline Products	27
5	Floats & Buoys	31
6	Swivels, Thimbles, Blocks, Ferrules & Terminals.....	35
7	Other Hardware	65
8	Tools.....	81

© WireCo Australia Product Catalogue 2021
Content & Information compiled by WireCo Australia Pty Ltd
www.wireco.com.au

Printed by Complete Printing , Nerang
www.completeprinting.com.au

This data is for guidance purposes only and subject to change without prior notice.



EUROLINE NETS / TWINE

Euroline Netting is produced out of high tenacity polyethylene twines, which have around 30% more strength than normal twines.

The advantages of using Euroline Netting are:

- Better strength
- Better wearing (abrasion properties)
- Less drag (smaller size twines can be used)
- Less sand penetration (less shrinkage)

Euroline Netting is available in 4mm, 5mm, 6mm & Double.

The main features of this product are:

- Easy to repair and handle
- For single layer Cod Ends, help reducing by-catch
- Lower operational costs
- Less fuel consumption

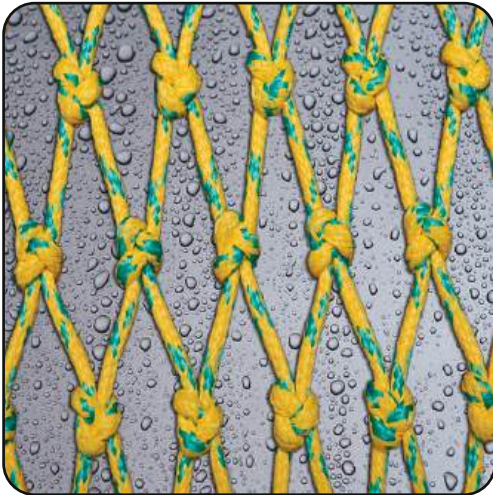
Available in 1.2mm

Diameter mm	Runnage m/Kg	Breaking Strength Kgf
1.2	804	54
1.8	615	74
2.2	385	100
2.5	330	115
3.0	250	162
4.0	150	246
5.0	96	350
6.0	62	595
8.0	36	980
10.0	28	1240

**SPOOLS OF TWINE
ARE ALSO AVAILABLE
IN THESE SIZES.**



This data is for guidance purposes only and subject to change without prior notice.



EUROLINE PREMIUM NETS / TWINE

Euroline Premium Netting has the following advantages:

- Single mesh instead of double can now be used in larger cod ends.
- Smaller twine can be used in existing trawls so greater towing speed can be achieved.
- Lower fuel consumption
- Much more economical than knotless netting material and only slightly higher than standard Euroline netting
- Clean fishing, easy handling and good knot stability
- Good abrasive resistance and stable elongation

Bottom Trawl Applications

This is a significant aspect where there is a big advantage in using Euroline Premium Netting.

- Smaller diameter twines with the same breaking strength can be used

Mid Water Trawl Applications

- Euroline Premium Netting is made with filaments that are stronger than nylon fibres
- Euroline Premium Netting provides characteristics very suitable for mid water trawl applications:
 - Good Elongation
 - Good Shock absorption
 - Good Stretch recovery
 - High strength, high abrasion resistance

Euroline Premium is a polyethylene netting which, in addition to its strength and abrasion resistance, offers a clean fishing like all the polyethylene materials.

**SPOOLS OF TWINE
ARE ALSO AVAILABLE
IN THESE SIZES.**



Diameter mm	Runnage m/Kg	Breaking Strength Kgf
1.3	830	62
2.0	370	130
2.5	290	145
3.0	250	192
3.5	200	243
4.5	115	417
5.5	81	567
6.0	62	734
8.0	36	1117



EUROLINE PREMIUM PLUS NETS / TWINE

Euroline Premium Plus is the latest step forward in the new generation of netting materials available from Euronete.

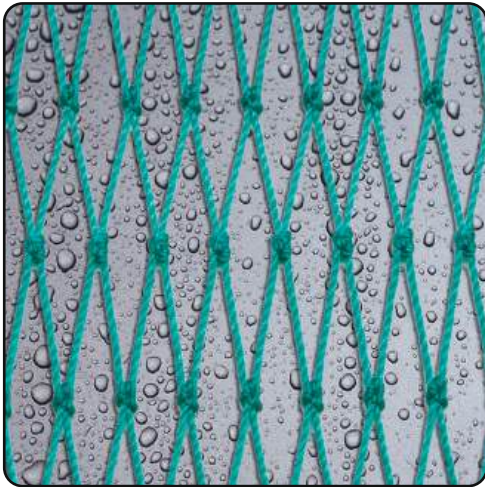
Euroline Premium Plus Netting will provide the desired characteristics for trawls:

- Smaller diameter twines can be used for the same strength
- Good stretch recovery without major deformation
- High abrasion resistance
- Clean fishing (example: jelly fish will not adhere to the netting)
- Economical, if compared to Dyneema and Spectra

**SPOOLS OF TWINE
ARE ALSO AVAILABLE
IN THESE SIZES.** →

Diameter mm	Runnage m/Kg	Breaking Strength Kgf
1.0	950	61
1.3	740	80
1.8	520	94
2.2	400	140
2.5	310	174
3.0	230	240
4.0	145	400
4.5	120	481
5.0	96	558
5.5	76	635

This data is for guidance purposes only and subject to change without prior notice.



TWISTED POLYETHYLENE NETS / TWINE

Euronete's Twisted Polyethylene stands out for the stability of the knot and precision of mesh.

We produce Polyethylene Twisted Netting in the following twine references:

Diameter mm	Runnage m/Kg	Breaking Strength Kgf
10/9	1950	20
10/12	1350	28
10/15	1150	32
10/18	980	38
10/21	840	45
10/24	720	53
10/27	625	58
10/30	540	64
10/36	450	78
10/39	400	88
10/45	350	100
10/60	290	120
15/60	140	215

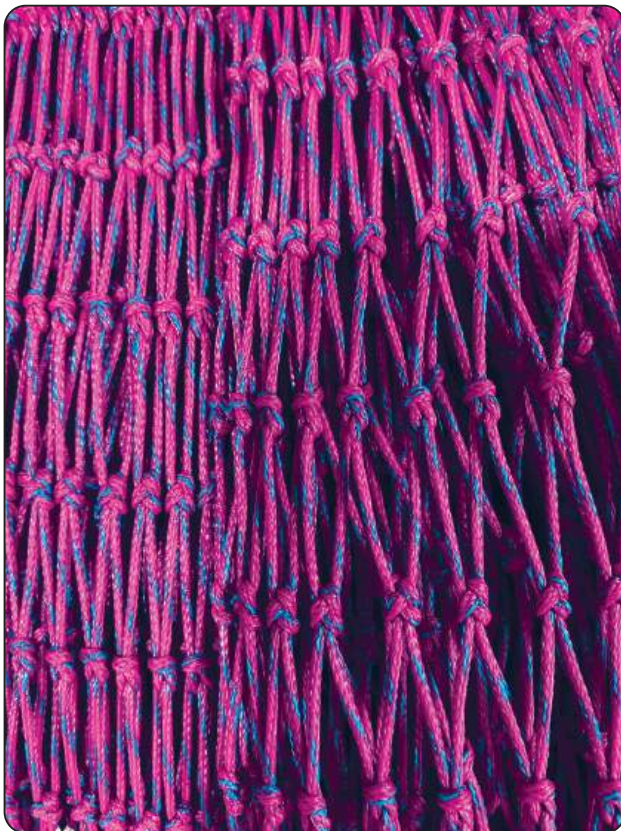
SPOOLS OF TWINE ARE ALSO AVAILABLE IN THESE SIZES. →



BREZTOP HIGH TENACITY NETTING

Breztop netting is designed to improve the drag of your trawls, in order to make fuel savings.

It allows, at equal resistance to decrease the diameter of the netting yarn. Therefore, Breztop 3mm can replace our Green PE product - your net will be 20% lighter and easier to drag. While conceiving the Breztop, we worked to improve its breaking strength and knot breaking strength by modifying the tenacity of monofilaments and the construction of the braid



This data is for guidance purposes only and subject to change without prior notice.

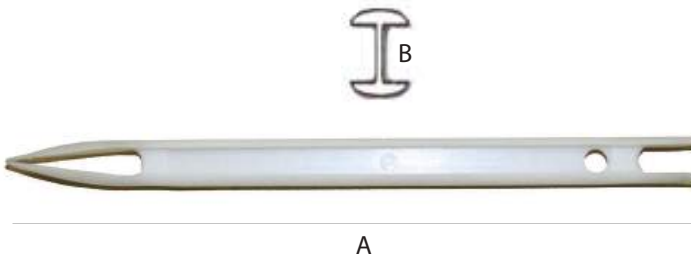


EUROFLEX

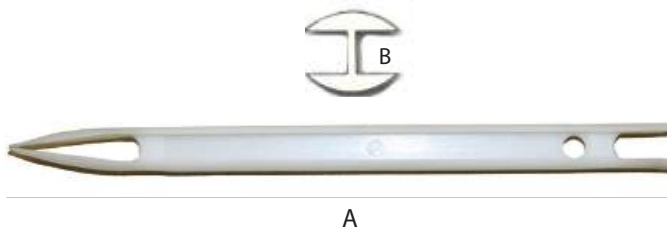
Euroflex braided twines are made out of polypropylene multifilament and polyethylene monofilaments.

Euroflex braided twines are available in the following twine sizes:

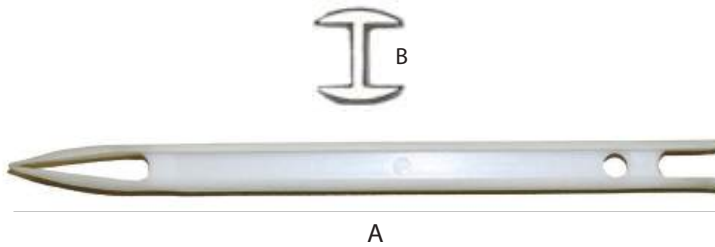
Part no.	Diameter mm	Runnage m/Kg	Breaking Strength Kgf
ETO7B18020	1.8	610	55
ETO7B25020	2.5	410	78
ETO7B30020	3.0	230	140
ETO7B40020	4.0	165	260
ETO7B50020	5.0	98	340
ETO7B60020	6.0	80	450
ETO07B10020	10.0		



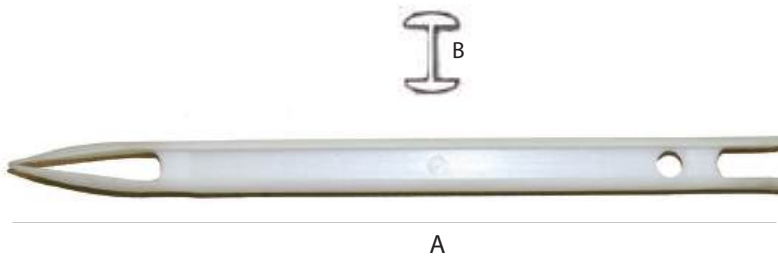
Part No.	A	B
	mm	mm
BM-MFF06.5-110	110	6,5
BM-MFF06.5-130	130	6,5



Part No.	A	B
	mm	mm
BM-MFF08,5-110	110	8,5
BM-MFF08,5-130	130	8,5
BM-MFF08,5-160	160	8,5
BM-MFF08,5-180	180	8,5

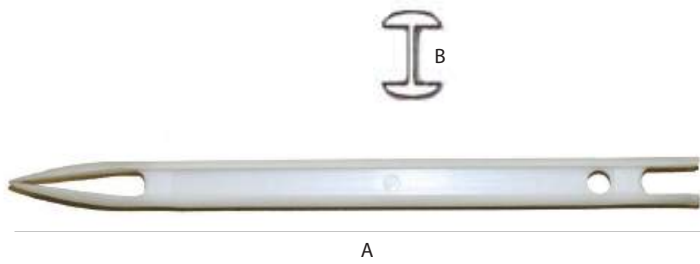


Part No.	A	B
	mm	mm
BM-MFF10-110	110	10
BM-MFF10-120	120	10
BM-MFF10-130	130	10
BM-MFF10-170	170	10
BM-MFF10-200	200	10

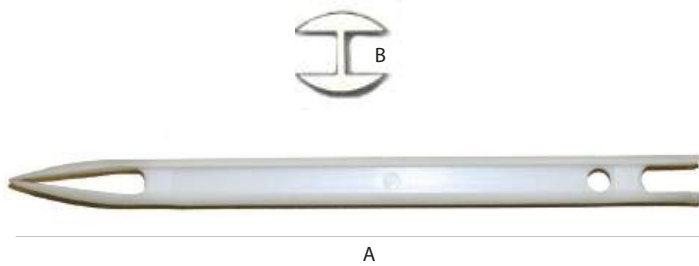


Part No.	A	B
	mm	mm
BM-MFF12-120	120	12
BM-MFF12-130	130	12
BM-MFF12-170	170	12
BM-MFF12-200	200	12

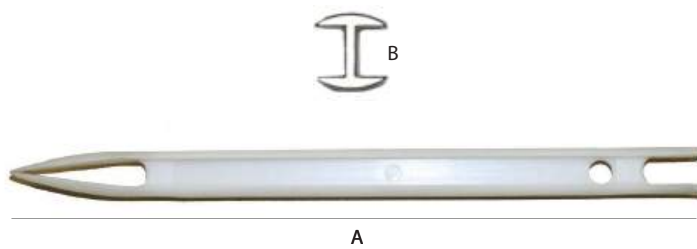
This data is for guidance purposes only and subject to change without prior notice.



Part No.	A	B
	mm	mm
BM-MFF14-130	130	14
BM-MFF14-145	145	14
BM-MFF14-200	200	14



Part No.	A	B
	mm	mm
BM-MFF16-150	150	16
BM-MFF16-240	240	16



Part No.	A	B
	mm	mm
BM-MFF20-175	175	20
BM-MFF20-250	250	20



12 STRANDS LANKOFORCE®

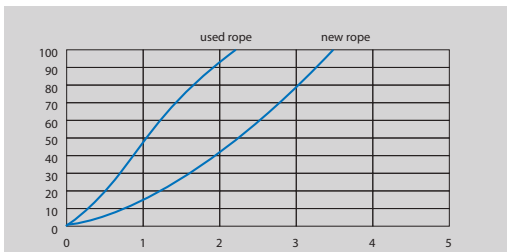
12 strands braided rope made of UHMWPE yarns.
This rope forms an excellent alternative for heavy and lumbbersome steelwire ropes in situations requiring manual handling of the rope.

The strength is higher than that of conventional steelwire rope and the corresponding weight is seven times lower!

The better handling characteristics are especially appreciated in towing and mooring applications.

This rope floats!

- SPECIFIC GRAVITY** - 0,98
- UV RESISTANCE** - excellent
- ABRASION RESISTANCE** - excellent
- CHEMICAL RESISTANCE** - good
- ELONGATION** - see graph
- MELTING POINT** - approx. 147° C
- CONSTRUCTION** - 12 strands plaited
- TCLL VALUE** - 100%
- WATER ABSORPTION** - 0%
- MATERIAL** - Dyneema
- WITH JACKET** - Polyester
TIPTO
Dyneema



Diameter mm	Weight kg/100m	MBL kN	MBF tf
6	2.3	35	3.6
8	3.9	62	6.3
10	5.9	97	9.9
12	9.3	137	14.0
14	10.6	184	18.8
16	14.3	244	24.9
18	18.0	303	30.9
20	21.5	374	38.1
22	28.0	450	45.9
24	33.5	533	54.4
26	37.5	612	62.4
28	43.5	701	71.5
30	51.5	789	80.5
32	59.0	887	90.5
34	65.0	991	101.1
36	71.0	1,076	109.8
38	80.0	1,191	121.5
40	88.5	1,314	134.0
44	109	1,559	159.0
48	126	1,853	189.0
52	149	2,160	220.3
56	176	2,490	254.0
60	202	2,820	287.6
64	230	3,210	327.4
68	259	3,610	368.2
72	290	4,010	409.0
76	320	4,250	433.5
80	358	4,510	460.0
88	430	5,320	542.6
96	510	6,230	635.4
104	600	6,800	693.6
112	695	7,810	796.6
120	798	8,870	904.7
128	910	9,970	1016.9
136	1,030	11,100	1132.2
144	1,150	12,400	1264.8

This data is for guidance purposes only and subject to change without prior notice.



8 STRAND EUROFLOAT® PREMIUM

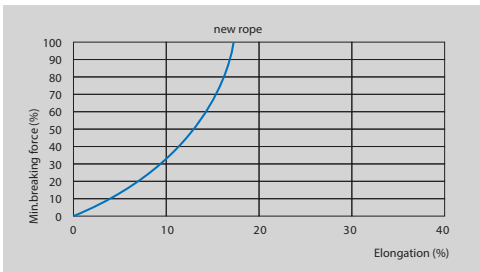
Using our latest in-house extrusion technology has made it possible to offer you the newly designed Eurofloat® Premium rope which is fully in-line with the requirements of the modern (tanker) fleet of today. This floating high performance rope is constructed from high strength polypropylene and polyester yarns. It is being produced under the latest EN and ISO standards and complies with the OCIMF requirements. The floating characteristic makes it a safe rope to work with and the high TCLL value ensures an excellent fatigue resistance.

SPECIFIC GRAVITY - 0.98 (floating)
UV RESISTANCE - good
ABRASION RESISTANCE - very good
CHEMICAL RESISTANCE - good
ELONGATION - see graph

MELTING POINT - approx. 165°C/260 C
CONSTRUCTION - 8-strand plaited
TCLL VALUE 75.1%
COLOUR - off white
MARKER YARN - two green markers
WATER ABSORPTION - 0.1%

Art. number	Circ. (inches)	Ø (mm)	Weight (kg/100m)	MBF (kN)	Weight (lbs/100 ft)	MBF (lbs)
152.632	4	32	53	207	36	46.535
152.636	4 1/2	36	67	259	45	58.226
152.640	5	40	85	324	57	72.838
152.644	5 1/2	44	99	377	67	84.753
152.648	6	48	120	456	80	102.513
152.652	6 1/2	52	141	534	95	120.048
152.656	7	56	162	613	109	137.808
152.660	7 1/2	60	188	701	126	157.591
152.664	8	64	216	799	145	179.622
152.669	8 1/2	68	245	900	165	202.328
152.672	9	72	275	1.000	185	224.809
152.676	9 1/2	76	305	1.098	205	246.840
152.680	10	80	339	1.205	218	270.895
152.688	11	88	411	1.470	276	330.469
152.696	12	96	490	1.735	319	390.044

Diameter, weight and MBF (as well as other mechanical and physical properties) are determined according ISO 2307:2010. The MBF refers to the breaking strength in the rope/wire itself, without splices or any other form of termination that can be formed with or without the use of accessories/fittings.





12 STRAND TIPTO TWELVE®

This rope is available in the diameter range of 16mm up to 56mm and it is the successor of the well-known Tipto Eight®.

The construction is different, the material remains the same.

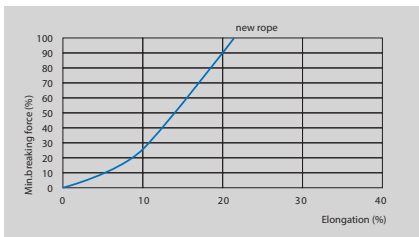
The 12-strands braided construction makes the rope rounder, more stable, more compact and more regular on the surface.

This increases the abrasion resistance and the lifetime of the rope even more.

This rope can be used for mooring, using either bollards and/or winches.

- SPECIFIC GRAVITY-** 0,93
- UV-RESISTANCE** - very good
- ABRASION RESISTANCE** - very good
- CHEMICAL RESISTANCE** - good
- ELONGATION-** see graph
- MELTING POINT CORE-** approx. 140°C
- CONSTRUCTION-** 12-strand plaited
- TCLL VALUE-** 70,7%
- COLOUR-** yellow
- WATER ABSORPTION-** 0%
- MARKER YARN-** orange
- MATERIAL** - PP/PE bi-constituent fibre

Diameter	Weight	MBF	MBF
mm	Kg/100m	kN	tf
16	12.1	48.0	4.9
18	15.5	60.5	6.2
20	18.9	72.8	7.4
22	23.1	88	9.0
24	27.3	103	10.5
28	37.3	137	14.0
30	42.8	157	16.0
32	53.0	177	18.0
36	66.0	222	22.6
40	75.6	269	27.4
44	92.4	321	32.7
48	109.0	378	38.5
52	128.0	441	45.0
56	149.0	508	51.8



This data is for guidance purposes only and subject to change without prior notice.



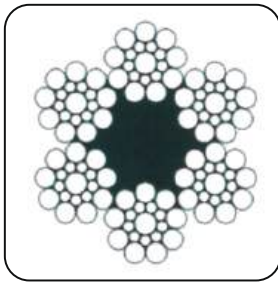
TWISTED EUROSTEEL

3 strands twisted Eurosteel ropes are used on marine applications in general.

It is a rope developed with the highest levels of excellence and quality.

Material: Polysteel - PP (70%)/PE (30%) Blend.

Diameter mm	Weight kg/100m	MBF KN	MBF tf
4	0.7	2.8	0.29
6	1.7	7.4	0.75
8	3	12.9	1.31
10	4.5	19.1	1.95
12	6.5	26.9	2.74
14	9	36.2	3.69
16	11.5	44.2	4.51
18	14.8	56.8	5.79
20	18	67.8	6.91
22	22	79	8.05
24	26	91.9	9.37
26	30.5	107	10.9
28	35.5	120	12.2
30	40.5	140	14.3
32	46	151	15.4
36	58.5	188	19.2
40	72	226	23.0
44	88	264	26.9
48	104	313	31.9
52	122	356	36.3



OLIVEIRA

ZINCAL Fishing Wire Rope

Zincal has all the wires covered with a thick lay of zinc-aluminium alloy, which gives a higher resistance to the wire rope.

Zincal is the best wire rope for trawlers and beamers, where it is necessary to have a very good corrosion resistance added to all the other characteristics mentioned above.

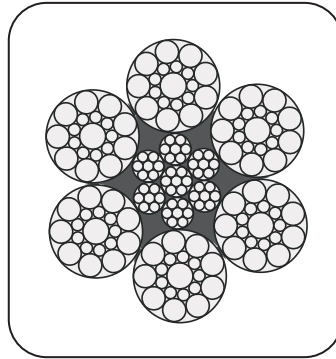
This wire rope is produced with GALFAN® wires from WireCo WorldGroup, the only authorized global producer and premier licensor of GALFAN® wire.

Diameter mm	Constr.	Core	Galv Type	Grade	Kg/mtr	MBL/kN	MBL/kN
10	6x19	FC	Zincal	1570	0.36	54	5.5
12	6x19	FC	Zincal	1570	0.51	77	7.9
13	6x19	FC	Zincal	1570	0.62	94	9.6
14	6x19	FC	Zincal	1570	0.69	106	10.8
15	6x19	FC	Zincal	1570	0.92	124	12.7
16	6x19	FC	Zincal	1570	0.95	145	14.8
18	6x19	FC	Zincal	1570	1.20	182	18.6
20	6x19	FC	Zincal	1570	1.47	224	22.9
22	6x19	FC	Zincal	1570	1.72	261	26.6
10	6x19	IWRC	Zincal	1570	0.41	59	6.0
12	6x19	IWRC	Zincal	1570	0.58	83	8.5
13	6x19	IWRC	Zincal	1570	0.70	103	10.5
14	6x19	IWRC	Zincal	1570	0.80	116	11.8
15	6x19	IWRC	Zincal	1570	0.93	136	13.9
16	6x19	IWRC	Zincal	1570	1.07	156	15.9
18	6x19	IWRC	Zincal	1570	1.36	197	20.1
20	6x19	IWRC	Zincal	1570	1.68	244	24.9
22	6x19	IWRC	Zincal	1570	1.94	282	28.8

This data is for guidance purposes only and subject to change without prior notice.



STEEL
FISHING ROPES 6 x 19 Construction

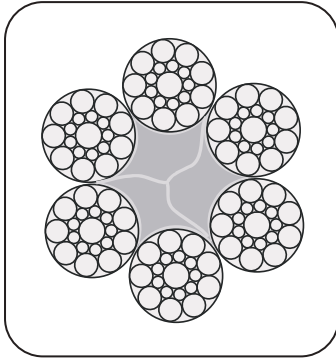


Nominal Diameter	Approximated Weight of Rope	MBF
mm	Kg/100m	kN
8.0	25.6	38.0
9.0	32.4	48.2
10.0	40.0	59.5
11.0	48.4	71.9
12.0	57.6	85.6
13.0	67.6	100
14.0	78.4	117
15.0	90.0	134
16.0	102.4	152
17.0	115.6	172
18.0	129.6	193
20.0	160.0	238
22.0	193.6	288
24.0	230.4	342
26.0	270.4	402
28.0	313.6	466
30.0	360.0	535
32.0	409.6	609
34.0	462.4	687
36.0	518.4	770
38.0	577.6	858
40.0	640.0	951

drumet

FIBRE CORE FISHING ROPES

6 x 19 Construction



Nominal Diameter	Approximated Weight of Rope	MBF
mm	Kg/100m	kN
8.0	23.0	34.4
9.0	29.1	43.6
10.0	35.9	53.8
11.0	43.4	65.1
12.0	51.7	77.5
13.0	60.7	90.9
14.0	70.4	105
15.0	80.8	121
16.0	91.9	138
17.0	103.8	155
18.0	116.3	174
20.0	143.6	215
22.0	173.8	260
24.0	206.8	310
26.0	242.7	364
28.0	281.5	422
30.0	323.1	484
32.0	367.6	551
34.0	415.0	622
36.0	465.3	697
38.0	518.4	777
40.0	574.4	861

This data is for guidance purposes only and subject to change without prior notice.



6 STRAND EUROSTEEL GALVANISED COMBINATION ROPE

Preformed with Steel Core
160 Kg/mm²

A flexible rope with various applications such as in fishing, industry and others.

Fishing -Salvage Rope, Head Rope, False Headline and so on.

- Good Abrasion
- Longer Life
- Good Handling

Diameter mm	Weight Kg/m	MBF KN
12	0.210	3600
14	0.290	4880
16	0.320	6150
18	0.390	8170
20	0.490	9780
22	0.670	12790
24	0.830	15630
26	0.900	18080
28	1.000	19640
30	1.240	21250
32	1.430	25270

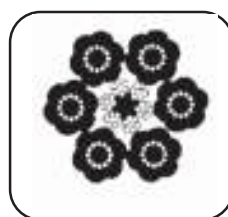
Tolerance / Weight: +/- 6%
Tolerance / Diameter: < 2% > 5%



Combination Ropes + FC

Right hand regular lay - Preformed.
 Steel wire strands covered with polypropylene split film.
 Blue with white marking yarns in one strand.
 Galvanized. Tensile strength of wire: 1570 N/mm²

Diameter mm	Steel area mm ²	Construction	Approx. weight kg/m	Min. breaking load kN	kp
10	7.1	6 x 6	0.11	20.6	2100
12	10.2	6 x 6	0.15	27.5	2800
14	13.6	6 x 8	0.21	35.5	3600
16	18.5	6 x 8	0.27	44.1	4500
18	24.1	6 x 8	0.35	54.0	5500
20	30.5	6 x 8	0.44	67.7	6900
22	45.6	6 x 8	0.59	95.2	9700
24	54.3	6 x 8	0.70	107.9	11000
26	63.7	6 x 8	0.83	124.6	12700
28	73.9	6 x 8	0.95	137.3	14000



Combination Ropes + IWRC

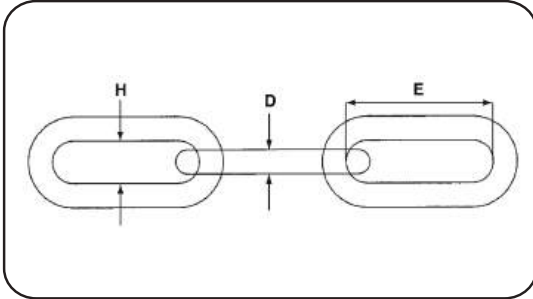
Right hand regular lay - Preformed.
 Steel wire strands covered with polypropylene split film.
 Blue with white marking yarns in one strand.
 Galvanized. Tensile strength of wire: 1570 N/mm²

Diameter mm	Steel area mm ²	Construction	Approx. weight kg/m	Min. breaking load kN	kp
8	7.9	6 x 5	0.09	15.7	1600
10	13.0	6 x 6	0.15	25.5	2600
12	17.1	6 x 6	0.20	31.4	3200
14	23.8	6 x 8	0.28	45.6	4650
16	32.4	6 x 8	0.37	60.8	6200
18	40.3	6 x 8	0.46	74.6	7600
20	51.6	6 x 8	0.58	95.2	9700
22	81.9	6 x 8	0.88	139.3	14200
24	99.4	6 x 8	1.04	167.7	17100
26	110.2	6 x 8	1.17	186.4	19000
28	125.4	6 x 8	1.33	211.9	21600
30	146.3	6 x 8	1.5	245.3	25000
32	171.5	6 x 8	1.78	285.5	29100

This data is for guidance purposes only and subject to change without prior notice.

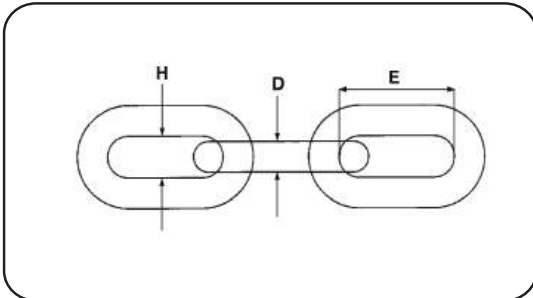
Gunnebo Fishing Chain

Long Link - G80



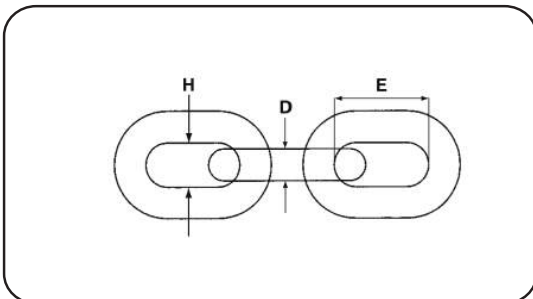
Part no.	MBL Ton	D mm	E mm	H mm	Weight Kg/mtr.
TR-LL-09-G	10.2	9	53	15	1.4
TR-LL-11-G	15.4	11	64	19	2.1
TR-LL-13-G	21.4	13	80	22	2.9
TR-LL-16-G	32.2	16	100	28	4.4
TR-LL-19-G	45.4	19	100	28	6.5
TR-LL-22-G	61.0	22	120	36	8.7
TR-LL-26-G	86.0	26	140	41	12.2
TR-LL-28-G	98.0	28	150	41	14.0
TR-LL-32-G	128.0	32	170	44	19.0

Mid Link - G80



Part no.	MBL Ton	D mm	E mm	H mm	Weight Kg/mtr.
TR-ML-10-G	12.6	10	40	15	2.0
TR-ML-13-G	21.4	13	55	21	3.3
TR-ML-16-G	32.2	16	65	23	5.0
TR-ML-19-G	45.4	19	75	30	7.2
TR-ML-22-G	61.0	22	88	31	9.5
TR-ML-26-G	86.0	26	91	35	15.0

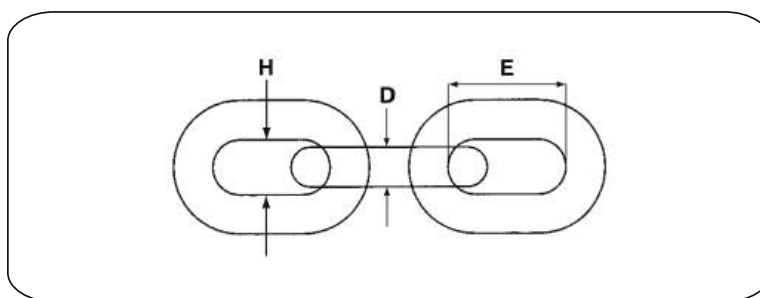
Short Link - G80



Part no.	MBL Ton	D mm	E mm	H mm	Weight Kg/mtr.
TR-SL-10-G	12.6	10	30	14.6	2.2
TR-SL-13-G	21.4	13	39	18.4	3.7
TR-SL-16-G	32.2	16	48	22.6	5.8
TR-SL-19-G	45.4	19	57	26.0	8.0
TR-SL-22-G	61.0	22	66	30.0	11.0
TR-SL-26-G	86.0	26	78	35.0	14.8

This data is for guidance purposes only and subject to change without prior notice.

Lifting Chain

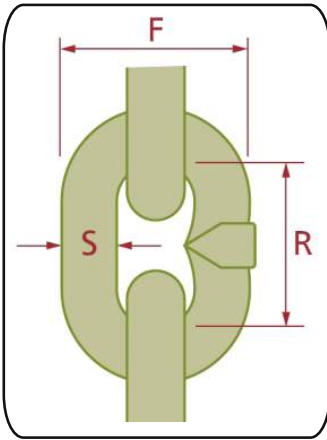


Short Link Chain G80 - Calibrated

Part No.	WLL 4:1	D	E	H	Weight
	Ton	mm	mm	mm	Kg /mtr
CHAIN G80 06	1.1	6	18	7.8	0.8
CHAIN G80 07	1.5	7	21	9.1	1.1
CHAIN G80 08	2.0	8	24	10.4	1.4
CHAIN G80 10	3.2	10	30	13.0	2.2
CHAIN G80 13	5.3	13	39	16.9	3.8
CHAIN G80 16	8.0	16	48	20.8	5.7
CHAIN G80 20	12.5	20	60	32.0	8.94
CHAIN G80 22	15.0	22	66	35.0	11.57
CHAIN G80 24	21.2	26	78	41.0	15.26
CHAIN G80 32	31.5	32	96	48.0	22.61

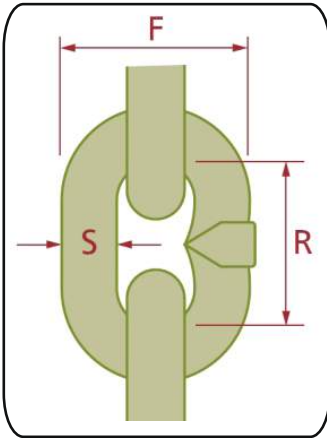
Chain - Stainless Steel Grade 304 - 316

Long Link Chain



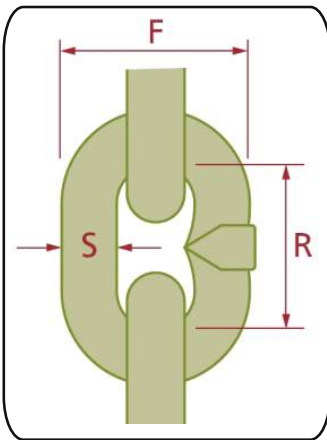
Part No.	Chain Size	WLL (4:1)	S	R	F
	mm	MT	mm	mm	mm
CHAIN SSSL 07	7	0.32	7	35	26.3

Mid Link Chain



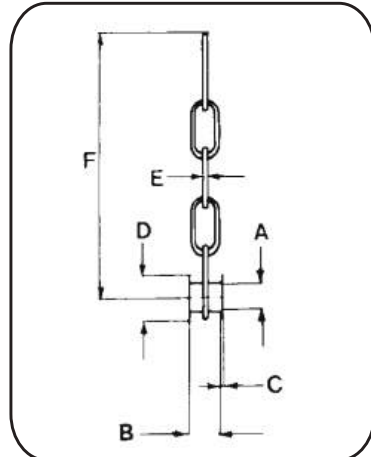
Part No.	Chain Size	WLL (4:1)	S	R	F
	mm	MT	mm	mm	mm
CHAIN SSML 05	5	0.19	5.0	22.0	19.4
CHAIN SSML 08	8	0.53	8.0	32.2	29.5
CHAIN SSML 10	10	0.83	10	39.1	36.2
CHAIN SSML 12	12	1.35	12	46.0	44.0

Short Link Chain



Part No.	Chain Size	WLL (4:1)	S	R	F
	mm	MT	mm	mm	mm
CHAIN SSSL 06	6	0.32	6.3	18.9	21.5
CHAIN SSSL 08	8	0.53	8.0	24.0	27.5
CHAIN SSSL 10	10	0.83	10.0	29.5	33.5
CHAIN SSSL 12	12	1.5	12.5	37.5	40.6
CHAIN SSSL 16	16	2.31	16.0	47.0	54.0

This data is for guidance purposes only and subject to change without prior notice.



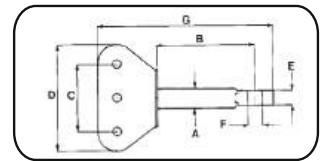
Wire Toggles

Part No.	A	B	C	D	E	F	Weight	For Chain diameter
	mm	mm	mm	mm	mm	mm	kg/100	mm
BM-E318-5	18	26	4	42	8	240	40.0	16

Number of links on order, standard 5 links.

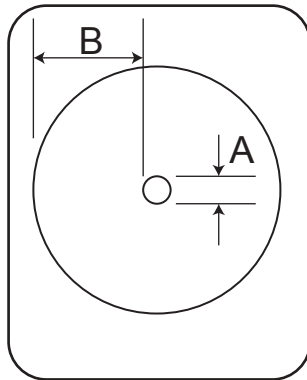
Butterflies

Part No.	SWL 5:1	A	B	C	D	E	F	G	Weight	For bobbins
	Ton	mm	mm	mm	mm	mm	mm	mm	kg	Size
BM-E24	4.2	38	210	140	220	27	24	335	4.3	9"
BM-E25	4.0	45	275	190	270	29	28	425	7.4	12"
BM-E26	5.0	45	275	230	310	29	28	425	7.8	14"
BM-E27	8.5	70	470	270	355	70	34	660	34.0	
BM-E29	8.5	70	620	270	370	70	34	970	40.0	

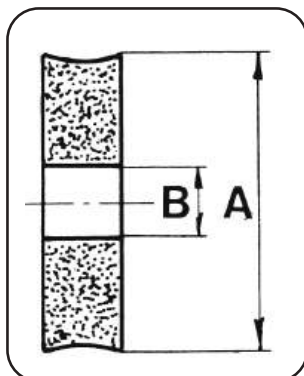


This data is for guidance purposes only and subject to change without prior notice.

Rockhoppers

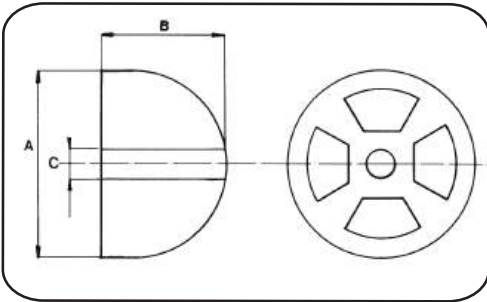


Part No.	A	B
	mm	mm
BM-RRR1022-00/00	30	120



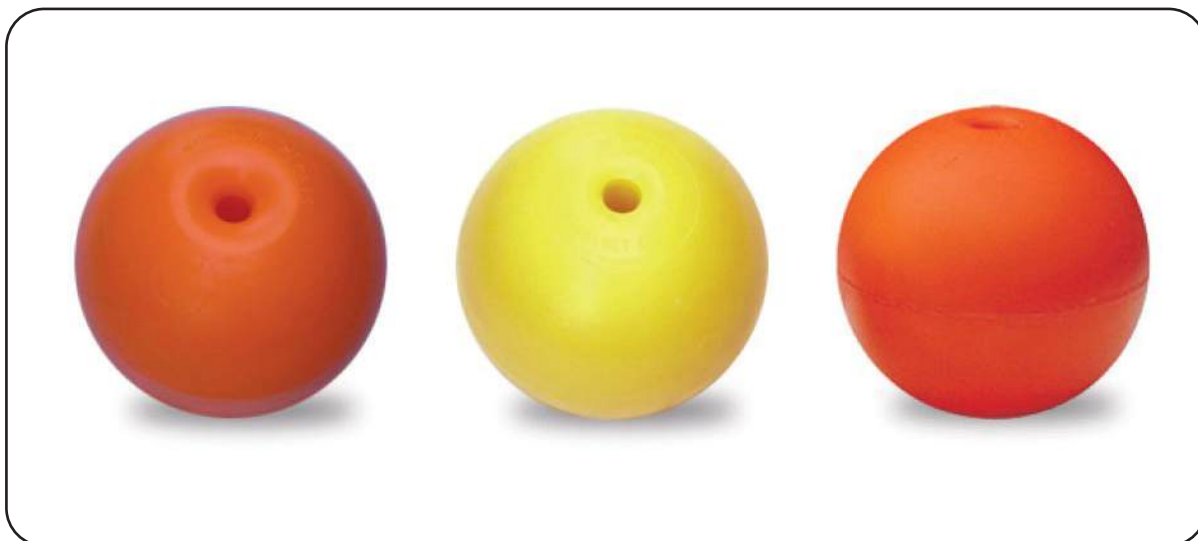
Rubber Discs

Part No.	A	B
	mm	mm
BM-RG 060/16	60	16
BM-RG 060/20	60	20
BM-RG 060/22	60	22
BM-RG 100/22	100	22
BM-RG 175/22	175	22
BM-RG 225/22	225	22



Rubber Bobbins

Part No.	A	B	C	Weight
	mm	mm	mm	Kg
BM-HB230B	230	155	48	4.4
BM-HB275B	275	180	50	4.5
BM-HB300B	300	200	55	9.1
BM-HB350B	350	220	55	11.8
BM-HB450B	450	300	62	30.0



Trawlfloats with Centrehole

Part No.	Diameter mm	Working Depth	Colour	Hole Size mm	Volume litre	Weight g	Bouyancy g	Number per carton pcs
NP08-0400-CO	203.2	450	Orange	22.0	4.0	875	3320	18
NP08-0400-CR	203.2	300	Red	20.0	4.0	821	3380	18
NP08-1050-CO	203.2	1050	Orange	23.0	4.0	1300	2685	18
NP08-1200-CY	203.2	1200	Yellow	21.0	4.0	1500	2490	18
NP08-1200-CO	203.2	1200	Orange	21.0	4.0	1500	2490	18
NP08-1400-CW	203.2	1400	White	21.0	4.0	1720	2300	18
NP08-2000-CW	203.2	2000	White	21.0	4.0	1760	2110	18
NP08-3200-CW	203.2	3200	White	23.0	4.0	1956	1800	18
NP95-2000-CG	241.3	2000	Green	26.0	7.0	2822	3900	9
NP95-1100-CY	241.3	1100	Yellow	26.0	7.0	2423	4280	9
NP11-0600-CO	279.4	600	Orange	24.5	11.0	2490	8610	6
NP11-0950-CR	279.4	950	Red	24.5	11.0	3210	7580	6
NP11-0950-CY	279.4	950	Yellow	24.5	11.0	3210	7580	6
NP11-1500-CW	279.4	1500	White	24.5	11.0	3730	6950	6
NP14-0800-CW	355.6	800	White	30.0	25.0	7145	17600	2
NP14-0800-CLM*	355.6	800	Red	30/24	25.0	6690	21050	2

* with centrehole & ears

This data is for guidance purposes only and subject to change without prior notice.



Trawlfloats with Lugs

Part No.	Diameter	Working Depth	Colour	Hole Size	Volume	Weight	Bouyancy	Number per carton
	mm			mm	litre	g	g	pcs
NP08-1700-LY	203.2	1700	Yellow	20.0	4.0	1500	2720	10
NP09-1800-LG	203.2	1800	Green	21.0	6.5	2310	4000	6
NP10-1800-LG	254.0	1800	Green	22.0	8.0	3630	4925	6
NP14-1500-LG	355.6	1500	Green	24.0	25.0	8500	16610	2
NP14-0800-LM	355.6	800	Red	24.0	25.0	6690	21050	2
NP14-0800-2LM*	355.6	800	Red	24.0	25.0	6690	21050	2

* with 4 ears



Trawlfloats with Sideholes

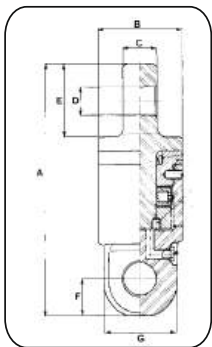
Part No.	Diameter mm	Working Depth	Colour	Old Part No.	Hole Size mm	Volume litre	Weight g	Bouyancy g	Number per carton pcs
NP05-0600-SO	127.0	600	Orange	PP364	12.0	1.0	275	630	72
NP06-0400-SO	152.4	400	Orange	PP357	17.0	2.0	390	1575	38
NP08-0400-SO	203.2	400	Orange	PP356	16.0	4.0	840	3480	18

This data is for guidance purposes only and subject to change without prior notice.

Swivels



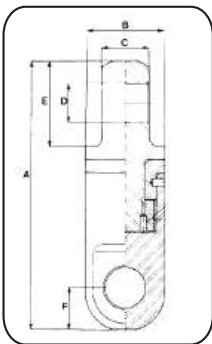
Steel
Tapered roller thrust bearing
Greaseable



Part No.	SWL 5:1	A	B	C	D	E	F	G	Weight
	Ton	mm	mm	mm	mm	mm	mm	mm	kg/ea
BM-A 401	1.0	126	43	16	15	36	18	35	0.60
BM-A 402	2.0	157	54	20	20	45	22	45	1.50
BM-A 403	3.0	189	65	27	26	55	28	55	2.75
BM-A 405	5.0	220	70	33	30	64	33	60	3.90
BM-A 408	8.0	250	85	42	34	73	39	75	6.70
BM-A 412	12.0	295	95	50	41	86	45	86	10.60
BM-A 417	17.0	360	120	57	52	113	55	108	18.50
BM-A 422	22.0	435	131	60	52	118	63	118	29.0
BM-A 432	32.0	500	160	65	59	132	73	140	45.00
BM-A 445	45.0	700	220	102	74	190	100	200	130.00



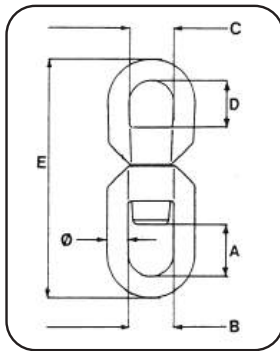
Stainless Steel
Bronze bushing



Part No.	SWL 5:1	A	B	C	D	E	F	Weight
	Ton	mm	mm	mm	mm	mm	mm	kg/ea
BM-A 304	4.0	169	49	29	26	50	25	1.60
BM-A 306	6.0	197	58	34	30	60	31	2.70
BM-A 308	8.0	224	68	40	34	69	35	4.40

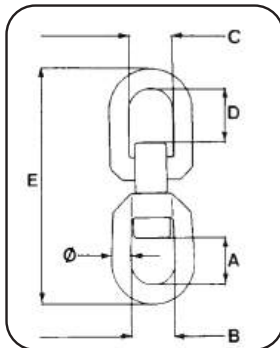
This data is for guidance purposes only and subject to change without prior notice.

Swivels



Stainless Steel - Rated

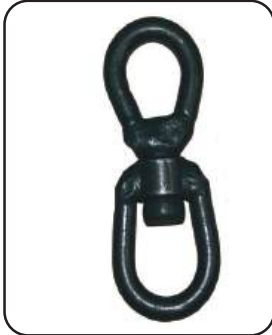
Part No.	Size =	Ø	SWL 5:1	A	B	C	D	E	Weight
		mm	Ton	mm	mm	mm	mm	mm	kg/ea
BM-A 10 SSC	3/8"	10	1.10	30	28	17	17	102	0.20
BM-A 12 SSC	1/2"	13	1.60	29	28	27	30	140	0.38
BM-A 16 SSC	5/8"	16	3.20	43	38	35	47	180	0.89
BM-A 19 SSC	3/4"	19	4.70	45	39	38	40	205	1.80
BM-A 22 SSC	7/8"	22	6.30	45	40	40	42	222	2.25
BM-A 25 SSC	1"	25	8.30	52	50	42	52	278	4.10
BM-A 32 SSC	1 1/4"	32	12.00	60	50	50	98	350	8.15
BM-A 38 SSC	1 1/2"	38	18.00	72	58	58	112	390	13.00



Stainless Steel - Flexible - Rated

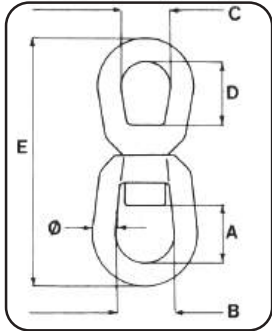
Part No.	Size =	Ø	SWL 5:1	A	B	C	D	E	Weight
		mm	Ton	mm	mm	mm	mm	mm	kg/ea
BM-A 12 SSFC	1/2"	13	1.6	30	28	28	34	160	0.56
BM-A 16 SSFC	5/8"	16	3.2	41	36	37	48	200	1.20
BM-A 19 SSFC	3/4"	19	4.7	44	40	40	54	235	2.00
BM-A 22 SSFC	7/8"	22	6.3	44	40	40	55	255	2.90
BM-A 25 SSFC	1"	25	8.3	55	50	45	70	320	4.70
BM-A 32 SSFC	1 1/4"	32	12.0	55	55	54	93	360	9.20
BM-A 38 SSFC	1 1/2"	38	18.0	62	58	60	110	410	14.60

Swivels



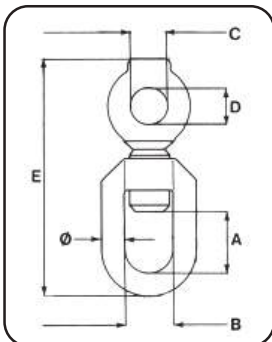
Steel - Rated
Available Dark Blue or Galvanized

Part No.	Size =	Ø	SWL 5:1	A	B	C	D	E	Weight
		mm	Ton	mm	mm	mm	mm	mm	kg/ea
BM-A 08 ST GC	5/16"	8	0.5	20	13	12	12	80	0.08
BM-A 10 ST C	3/8"	10	0.6	32	28	25	31	123	0.23
BM-A 12 ST C	1/2"	12	1.1	35	30	28	33	140	0.40
BM-A 16 ST C	5/8"	16	1.5	40	38	33	41	180	0.76
BM-A 19 ST C	3/4"	19	2.4	50	38	35	47	200	1.30



Steel - Rated
Forged
Available Dark Blue or Galvanized

Part No.	Size =	Ø	SWL 5:1	A	B	C	D	E	Weight
		mm	Ton	mm	mm	mm	mm	mm	kg/ea
BM-A 16 FO C	5/8"	16	2.4	30	28	22	22	150	0.87
BM-A 19 FO C	3/4"	19	3.8	42	40	28	28	185	1.30
BM-A 22 FO C	7/8"	22	5.3	57	48	34	34	230	2.20
BM-A 25 FO C	1"	25	7.2	63	52	37	37	265	3.65
BM-A 28 FO C	1 1/8"	28	9.0	65	52	37	37	280	4.30



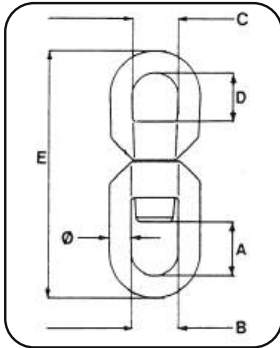
This data is for guidance purposes only and subject to change without prior notice.

Swivels



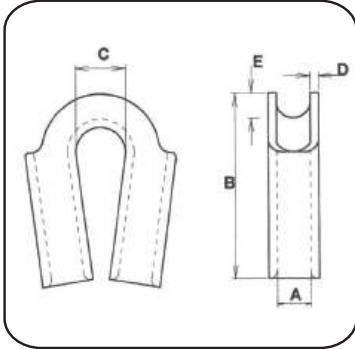
Steel - Rated
Forged
Dark Blue

Part No.	Size =	Ø	SWL 5:1	A	B	C	D	E	Weight
		mm	Ton	mm	mm	mm	mm	mm	kg/ea
BM-A 28 ST C	1 ¹ / ₈ "	28	10.0	50	50	50	50	285	5.60
BM-A 32 ST C	1 ¹ / ₄ "	32	12.5	60	57	55	50	305	7.20
BM-A 38 ST C	1 ¹ / ₂ "	38	15.4	72	60	55	55	340	9.90



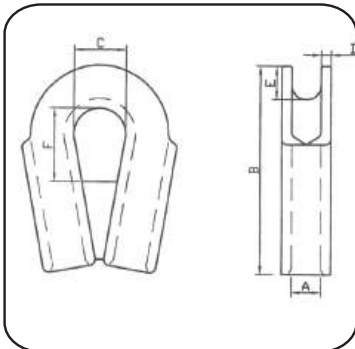
Thimbles

Blue



Part No.	A	B	C	D	E	Weight	For wire max.
	mm	mm	mm	mm	mm	Kg	mm
BM-G712	12	84	23	4.0	8	0.21	10
BM-G715	15	95	27	5.0	10	0.40	12
BM-G717	17	100	27	5.0	10	0.48	14
BM-G719	19	112	32	5.0	12	0.60	16
BM-G722	22	125	35	5.0	15	0.71	18
BM-G725	25	150	45	4.3	16	1.21	22
BM-G728	28	157	45	7.0	16	1.60	24
BM-G730	30	170	47	7.0	18	1.91	25
BM-G735	35	190	60	7.0	22	2.60	32
BM-G745	45	228	70	7.0	27	3.50	38
BM-G750	50	255	75	7.0	35	4.20	42
BM-G755	55	268	80	7.5	31	4.80	48

Blue With Gusset

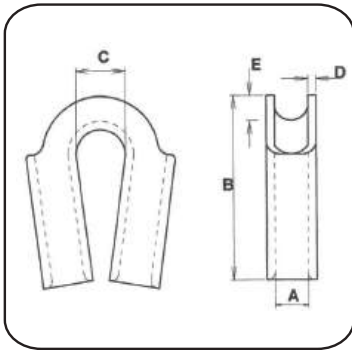


Part No.	A	B	C	D	E	F	Weight	For wire max.
	mm	mm	mm	mm	mm	mm	kg/ea	mm
BM-G712 K	12	84	23	4.0	8	24	0.36	10
BM-G715 K	15	95	27	5.0	10	31	0.52	12
BM-G717 K	17	100	27	5.0	10	38	0.55	14
BM-G719 K	19	112	32	5.0	12	46	0.65	16
BM-G722 K	22	125	35	5.0	15	47	0.90	18
BM-G725 K	25	150	45	4.3	16	61	1.26	22
BM-G730 K	30	170	47	7.0	18	68	2.02	25
BM-G735 K	35	190	60	7.0	22	73	2.61	32
BM-G745 K	45	228	70	7.0	27	94	3.38	38
BM-G750 K	50	255	75	7.0	35	97	4.65	42
BM-G755 K	55	268	80	7.5	31	99	4.90	48

This data is for guidance purposes only and subject to change without prior notice.

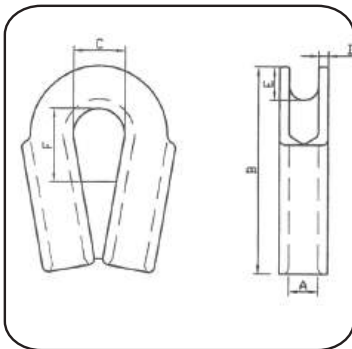
Thimbles

Stainless Steel



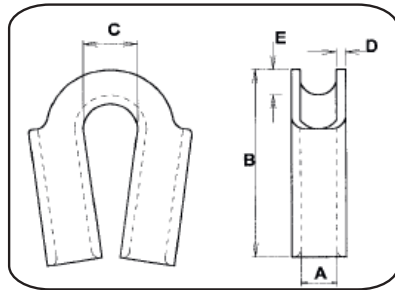
Part No.	A	B	C	D	E	Weight	For wire max.
	mm	mm	mm	mm	mm	Kg	mm
BM-G 815	15	91	27	5.0	9	0.39	12
BM-G 819	19	113	31	5.0	11	0.79	16
BM-G 824	24	136	46	5.0	15	1.04	21
BM-G 827	27	142	45	5.0	15	1.29	24
BM-G 831	31	163	48	7.0	19	1.84	28
BM-G 839	39	179	60	5.5	20	1.68	35
BM-G 848	48	220	74	5.5	32	2.71	44
BM-G 860	60	260	81	8.5	38	5.75	54

Stainless Steel With Gusset



Part No.	A	B	C	D	E	F	Weight	For wire max.
	mm	mm	mm	mm	mm	mm	Kg	mm
BM-G 815 K	15	91	27	5.0	9	32	0.41	12
BM-G 819 K	19	113	31	5.0	11	46	0.62	16
BM-G 824 K	24	136	46	5.0	15	57	1.11	21
BM-G 827 K	27	142	45	5.0	15	62	1.36	24
BM-G 831 K	31	163	48	7.0	19	66	1.92	28
BM-G 839 K	39	179	60	5.5	20	83	1.79	35
BM-G 848 K	48	220	74	5.5	32	82	2.90	44
BM-G 860 K	60	260	81	8.5	38	90	5.90	54

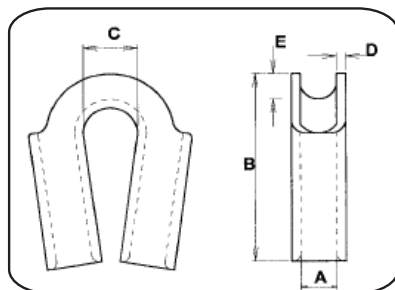
Thimbles



Wire Thimble Stainless Steel

Part No.	A	B	C	D	E	Weight
	mm	mm	mm	mm	mm	Kg
BM-G512	12	90	21	2.4	11	0.13
BM-G515	15	100	23	2.8	14	0.20

Thimbles

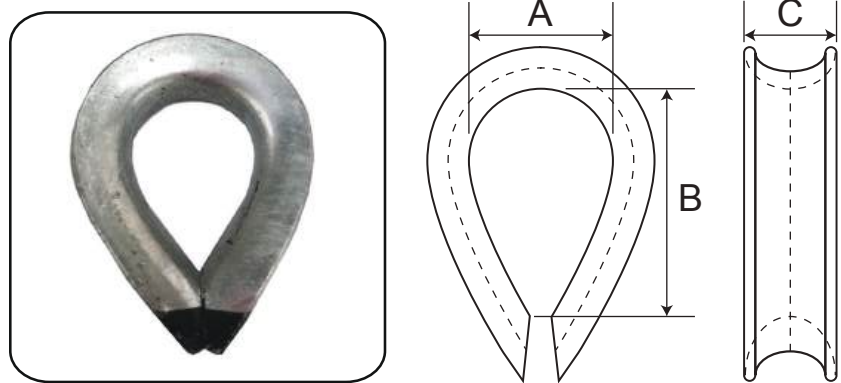


Stainless Steel Tube Thimble

Part No.	A	B	C	D	E	For wire max.
	mm	mm	mm	mm	mm	mm
LT-SS21008TUBE	7	56	18	2	7	6
LT-SS210010TUBE	10	70	22	5	9.5	9

This data is for guidance purposes only and subject to change without prior notice.

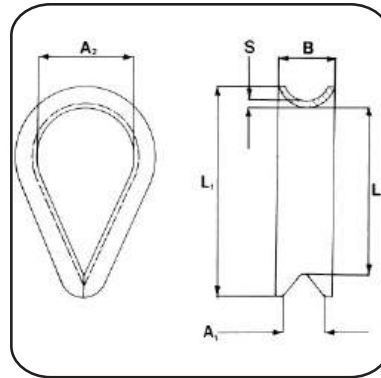
Thimbles



Hot Dipped Galvanized - AS Standard - AS1138

Part No.	Wire Diameter	A	B	C
	mm	mm	mm	mm
LT-GK210008	8	22.2	33.4	7.9
LT-GK210010	10	25.4	38.0	10.3
LT-GK210012	12	28.6	41.3	12.7
LT-GK210014	14	31.7	44.5	14.3
LT-GK210016	16	41.3	58.8	15.9
LT-GK210018	18	50.8	73.0	20.6
LT-GK210020	20	50.8	73.0	20.6
LT-GK210022	22	56.0	82.5	22.2
LT-GK210024	24	64.0	92.0	25.4
LT-GK210026	26	69.8	108.0	27.0
LT-GK210028	28	76.2	112.0	28.6
LT-GK210030	30	82.0	121.0	30.8
LT-GK210032	32	95.0	133.0	33.4
LT-GK210034	34	105.0	152.0	38.0
LT-GK210036	36	114.0	165.0	41.3
LT-GK210040	40	114.0	165.0	42.9
LT-GK210044	44	127.0	178.0	50.8
LT-GK210048	48	133.0	190.0	60.4

Thimbles

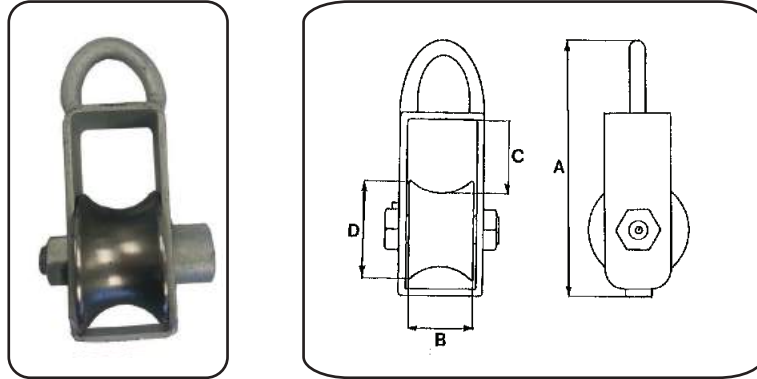


Stainless Steel - European

Part No.	L ₁	L ₂	A ₁	A ₂	B	S	Weight
	mm	mm	mm	mm	mm	mm	kg/100
BM-G110008	50	38	9	22	13	2	2.7
BM-G110010	65	48	11	27	15.5	2.5	5.2
BM-G110026	150	115	28	65	33	6	62
BM-G110028	175	135	30	76	36	6	76
BM-G110032	200	160	34	88	41	6	100

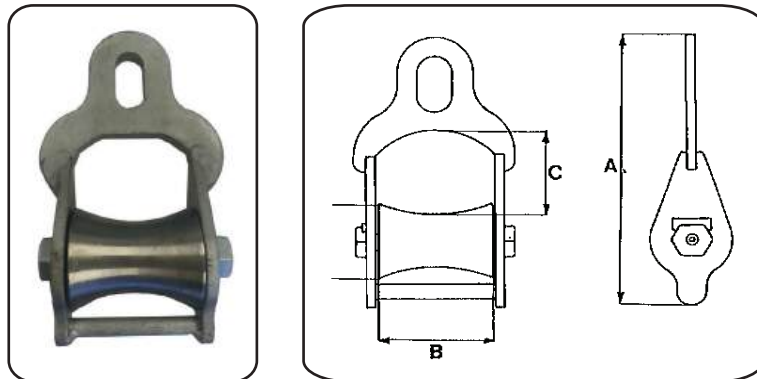
This data is for guidance purposes only and subject to change without prior notice.

Tackle Blocks
Manufactured in Denmark



**Galvanized
Bronze Bushing, Greaseable**

Part No.	SWL 5:1	A	B	C	D	Weight
	Ton	mm	mm	mm	mm	kg
KA 050-O	1.0	190	50	55	75	2.5

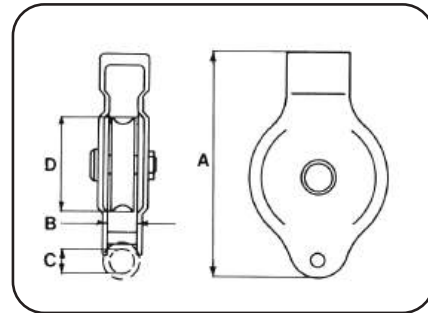
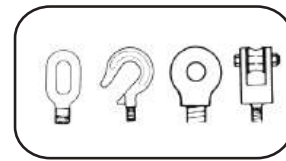


**Galvanized
Bronze Bushing, Greaseable**

Part No.	SWL 5:1	A	B	C	D	Weight
	Ton	mm	mm	mm	mm	kg
BM-KA 100-O	2.0	280	100	85	75	4.8
BM-KA 150-O	3.0	350	150	100	100	11.0

Blocks
Manufactured in Denmark

Head



Galvanized

Part No.	SWL 5:1	A	B	C	D	MAX WIRE	Weight
	Ton	mm	mm	mm	mm	mm	kg
BM-KT 1- <input type="checkbox"/> <input type="checkbox"/>	1.0	163	22	16	80	16	1.7
BM-KT 2- <input type="checkbox"/> <input type="checkbox"/>	2.0	195	24	22	110	18	3.1
BM-KT 3- <input type="checkbox"/> <input type="checkbox"/>	3.0	257	28	31	150	20	6.4
BM-KT 4- <input type="checkbox"/> <input type="checkbox"/>	4.4	330	35	40	185	22	11.1
BM-KT 6 <input type="checkbox"/> <input type="checkbox"/>	6.0	365	42	40	210	24	17.0

BMM Blocks must be ordered with:

- either **1** Ball bearing ; KT1, KT2 sealed ball bearings; KT3, KT4, KT6 greasable ball bearings.
- or **O** Bronze bushing; All bronze bushing are greasable.
- or **E** Swivel eye.
- or **K** Swivel hook.
- or **F** Swivel fork, KT4, KT6.
- or **S** Swivel shackle eye, KT4, KT6.

With an additional charge, following can be provided:

- “B” Becket.
- “C” Tested with certificate.
- “H” Flame hardened sheave.

This data is for guidance purposes only and subject to change without prior notice.

Swivel øje
Swivel eye
Cáncamo giratorio

Swivel krog
Swivel hook
Gancho giratorio

Swivel sjækkel øje
Swivel shackle eye
Ojo p/grillete giratorio

Swivel gaffel
Swivel fork
Horquilla giratorio

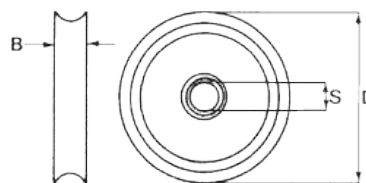
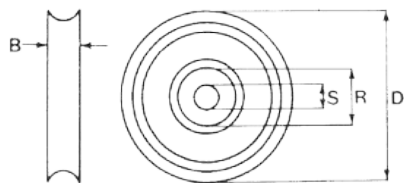
Head

Blok vare nr. Block part no. Pasteca art. no.	M	N	O	P	Q	L	M	R	P	K	L	M	N	R	P		
	mm	mm	mm	mm	mm	mm	mm	mm	mm	mm	mm	mm	mm	mm	mm		
KT 1	25	38	13	65	20	82	25										
KT 2	23	55	16	94	25	94	28										
KT 3	26	66	20	110	30	105	30										
KT 4	35	68	23	134	38	132	38	26	35	35	93	104	23	40	65	30	134
KT 6	40	90	25	153	46	170	46	29	42	40	100	104	23	40	65	30	134

Kugleleje
Ball bearing
Rodamiento de bolas

Bronzeleje
Bronze bushing
Cojinete de bronce

Sheaves



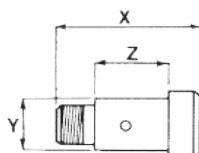
Vare nr. Part no. Parte no.	B	D	R	S	Vægt Weight Peso
	mm	mm	mm	mm	kg
SKT 1-1	22	80	47	17	0,60
SKT 2-1	24	110	52	20	1,25
SKT 3-1	28	150	47	20	2,65
SKT 4-1	35	185	62	30	5,10
SKT 6-1	42	210	76	30	7,70

Vare nr. Part no. Parte no.	B	D	S	Vægt Weight Peso
	mm	mm	mm	kg
SKT 1-0	22	80	20	0,75
SKT 2-0	24	110	25	1,30
SKT 3-0	28	150	25	2,60
SKT 4-0	35	185	30	5,20
SKT 6-0	42	210	30	7,60

Kugleleje
Ball bearing
Rodamiento de bolas

Bronzeleje
Bronze bushing
Cojinete de bronce

Pins

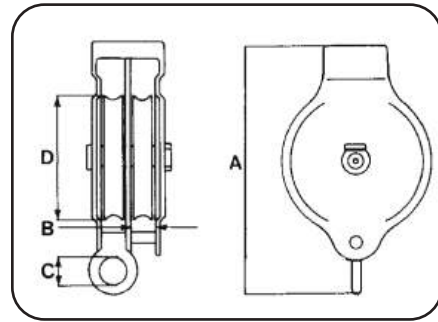
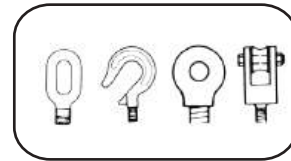


Vare nr. Part no. Parte no.	X	Y	Z	Vægt Weight Peso
	mm	mm	mm	kg
PKT 1-1	50	17	28	0,10
PKT 2-1	52	20	30	0,15
PKT 3-1	67	20	41	0,20
PKT 4-1	75	30	43	0,40
PKT 6-1	85	30	51	0,45

Vare nr. Part no. Parte no.	X	Y	Z	Vægt Weight Peso
	mm	mm	mm	kg
PKT 1-0	57	20	28	0,10
PKT 2-0	61	25	30	0,15
PKT 3-0	67	25	35	0,20
PKT 4-0	75	30	43	0,40
PKT 6-0	85	30	51	0,45

Blocks
Manufactured in Denmark

Head



Galvanized

Part No.	SWL 5:1	A	B	C	D	MAX WIRE	Weight
	Ton	mm	mm	mm	mm	mm	kg
BM-KT 1D- <input type="checkbox"/> <input type="checkbox"/>	1.0	187	22	16	80	16	3.1
BM-KT 2D- <input type="checkbox"/> <input type="checkbox"/>	2.0	224	24	22	110	18	5.2
BM-KT 3D- <input type="checkbox"/> <input type="checkbox"/>	3.0	296	28	31	150	20	11.0
BM-KT 4D- <input type="checkbox"/> <input type="checkbox"/>	4.4	385	35	40	185	22	19.0
BM-KT 6D- <input type="checkbox"/> <input type="checkbox"/>	6.0	425	42	40	210	24	27.8

BMM Blocks must be ordered with:

- either **1** Ball bearing ; KT1, KT2 sealed ball bearings; KT3, KT4, KT6 greasable ball bearings.
- or **O** Bronze bushing; All bronze bushing are greasable.
- or **E** Swivel eye.
- or **K** Swivel hook.
- or **F** Swivel fork, KT4, KT6.
- or **S** Swivel shackle eye, KT4, KT6.

With an additional charge, following can be provided:

- "C"** Tested with certificate.
- "H"** Flame hardened sheave.

This data is for guidance purposes only and subject to change without prior notice.

Swivel øje
Swivel eye
Cáncamo giratorio

Swivel krog
Swivel hook
Gancho giratorio

Swivel sjækkel øje
Swivel shackle eye
Ojo p/grillete giratorio

Swivel gaffel
Swivel fork
Horquilla giratorio

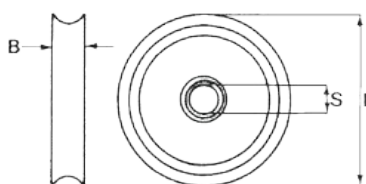
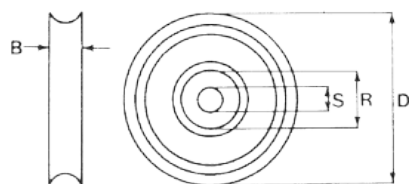
Head

Blok vare nr. Block part no. Pasteca art. no.																	
	M	N	O	P	O	P	Q	L	M	R	P	K	L	M	N	R	P
	mm	mm	mm	mm	mm	mm	mm	mm	mm	mm	mm	mm	mm	mm	mm	mm	mm
KT 1	25	38	13	65	20	82	25										
KT 2	23	55	16	94	25	94	28										
KT 3	26	66	20	110	30	105	30										
KT 4	35	68	23	134	38	132	38	26	35	35	93	104	23	40	65	30	134
KT 6	40	90	25	153	46	170	46	29	42	40	100	104	23	40	65	30	134

Kugleleje
Ball bearing
Rodamiento de bolas

Bronzeleje
Bronze bushing
Cojinete de bronce

Sheaves



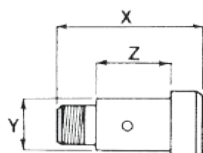
Vare nr. Part no. Parte no.	B	D	R	S	Vægt Weight Peso
	mm	mm	mm	mm	kg
SKT 1-1	22	80	47	17	0,60
SKT 2-1	24	110	52	20	1,25
SKT 3-1	28	150	47	20	2,65
SKT 4-1	35	185	62	30	5,10
SKT 6-1	42	210	76	30	7,70

Vare nr. Part no. Parte no.	B	D	S	Vægt Weight Peso
	mm	mm	mm	kg
SKT 1-0	22	80	20	0,75
SKT 2-0	24	110	25	1,30
SKT 3-0	28	150	25	2,60
SKT 4-0	35	185	30	5,20
SKT 6-0	42	210	30	7,60

Kugleleje
Ball bearing
Rodamiento de bolas

Bronzeleje
Bronze bushing
Cojinete de bronce

Pins



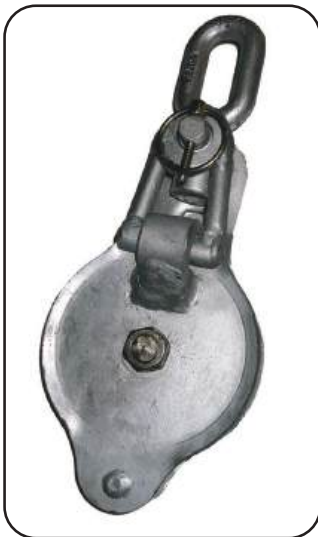
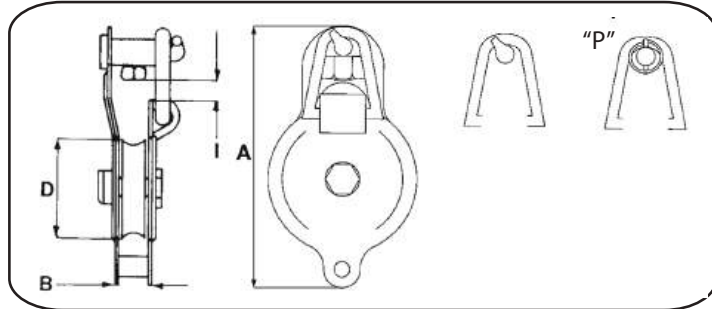
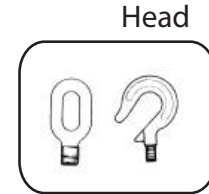
Vare nr. Part no. Parte no.	X	Y	Z	Vægt Weight Peso
	mm	mm	mm	kg
PKT 1-1	50	17	28	0,10
PKT 2-1	52	20	30	0,15
PKT 3-1	67	20	41	0,20
PKT 4-1	75	30	43	0,40
PKT 6-1	85	30	51	0,45

Vare nr. Part no. Parte no.	X	Y	Z	Vægt Weight Peso
	mm	mm	mm	kg
PKT 1-0	57	20	28	0,10
PKT 2-0	61	25	30	0,15
PKT 3-0	67	25	35	0,20
PKT 4-0	75	30	43	0,40
PKT 6-0	85	30	51	0,45

Snatch Blocks



Standard



Split Pin

Galvanized

Part No.	SWL 5:1	A	B	D	I	MAX WIRE	Weight
	Ton	mm	mm	mm	mm	mm	kg
KS 2- <input type="checkbox"/> <input type="checkbox"/>	2.0	225	24	110	23	18	3.7
KS 3- <input type="checkbox"/> <input type="checkbox"/>	3.0	300	28	150	30	18	7.5
KS 4- <input type="checkbox"/> <input type="checkbox"/>	4.5	330	35	185	33	22	13.5
KS 6- <input type="checkbox"/> <input type="checkbox"/>	6.0	378	41	210	35	24	19.4

1: Ball Bearing 2: Roller Bearing

BMM Blocks must be ordered with:

- Either 1 Ball bearing, greasable.
 or 0 Bronze bushing, greaseable.
 or E Swivel eye.
 or K Swivel fork.

With an additional charge, following can be provided:

- “C” Tested with certificate.
 “H” Flame hardened sheave.
 “P” Split pin at locking device.

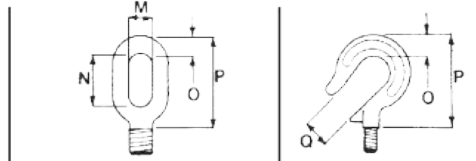
On order add letter, e.g. BM-KT 2T-1EGC

This data is for guidance purposes only and subject to change without prior notice.

Head

Swivel øje
Swivel eye
Cáncamo giratorio

Swivel krog
Swivel hook
Gancho giratorio

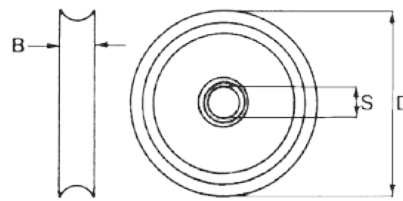
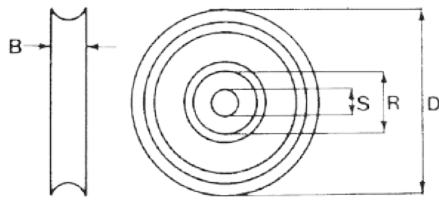


Blok vare nr. Block part no. Pasteca art. no.	M	N	O	P	O	P	Q
	mm	mm	mm	mm	mm	mm	mm
KS 2	23	55	16	94	25	94	28
KS 3	26	66	20	110	30	105	30
KS 4	35	68	23	134	38	132	38
KS 6	40	90	25	153	46	170	46

Sheaves

Kugleleje
Ball bearing
Rodamiento de bolas

Bronzeleje
Bronze bushing
Cojinete de bronce



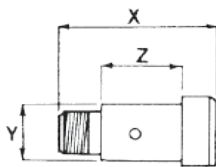
Vare nr. Part no. Parte no.	B	D	R	S	Vægt Weight Peso
	mm	mm	mm	mm	kg
SKS 2-1	24	110	52	20	1,25
SKS 3-1	28	150	47	20	2,65
SKS 4-1	35	185	62	30	5,10
SKS 6-1	42	210	76	30	7,70

Vare nr. Part no. Parte no.	B	D	S	Vægt Weight Peso
	mm	mm	mm	kg
SKS 2-0	24	110	25	1,30
SKS 3-0	28	150	25	2,60
SKS 4-0	35	185	30	5,20
SKS 6-0	42	210	30	7,60

Kugleleje
Ball bearing
Rodamiento de bolas

Bronzeleje
Bronze bushing
Cojinete de bronce

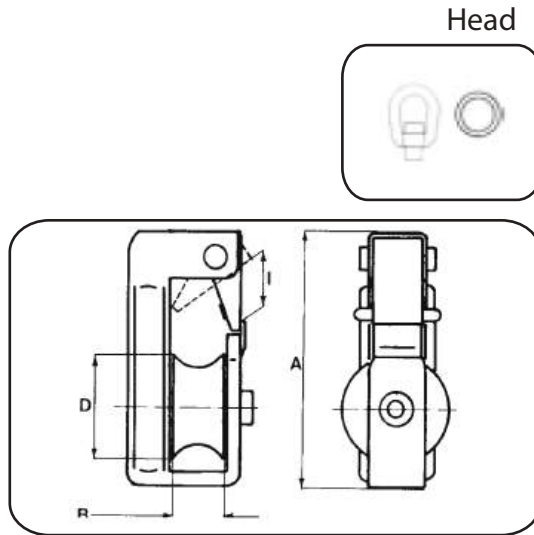
Pins



Vare nr. Part no. Parte no.	X	Y	Z	Vægt Weight Peso
	mm	mm	mm	kg
PKS 2-1	52	20	30	0,15
PKS 3-1	67	20	41	0,20
PKS 4-1	75	30	43	0,40
PKS 6-1	85	30	51	0,45

Vare nr. Part no. Parte no.	X	Y	Z	Vægt Weight Peso
	mm	mm	mm	kg
PKS 2-0	61	25	30	0,25
PKS 3-0	67	25	35	0,30
PKS 4-0	75	30	43	0,40
PKS 6-0	85	30	51	0,45

Snatch Blocks



Bronze Bushing Galvanized

Part No.	SWL 5:1	A	B	D	I	Weight
	Ton	mm	mm	mm	mm	kg
BM-KS 10- <input type="checkbox"/>	1.0	1.0	45	83	30	4.7
BM-KS 20- <input type="checkbox"/>	1.5	1.5	45	83	30	5.4
BM-KS 30- <input type="checkbox"/>	2.2	2.2	45	110	30	8.5

1: Ball Bearing 2: Roller Bearing

BMM Blocks must be ordered with:

Either **E** Ball bearing, greasable.
or **R** Firm eye.

With an additional charge, following can be provided:

C Tested with certificate.

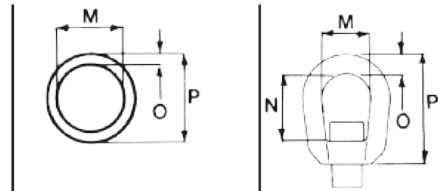
On order add letter, e.g. **BM-KT 2T-1EGC**

This data is for guidance purposes only and subject to change without prior notice.

Fast øje
Firm eye
Ojo firme

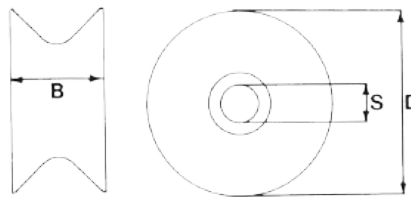
Swivel øje
Swivel eye
Cáncamo giratorio

Head



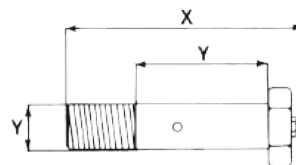
Blok vare nr.
Block part no.
Pasteca art. no.

	M	O	P	M	N	O	P
	mm	mm	mm	mm	mm	mm	mm
KS 10	32	14	58	38	40	16	92
KS 20	32	14	58	38	40	16	92
KS 30	40	16	72	38	48	19	112



Sheaves

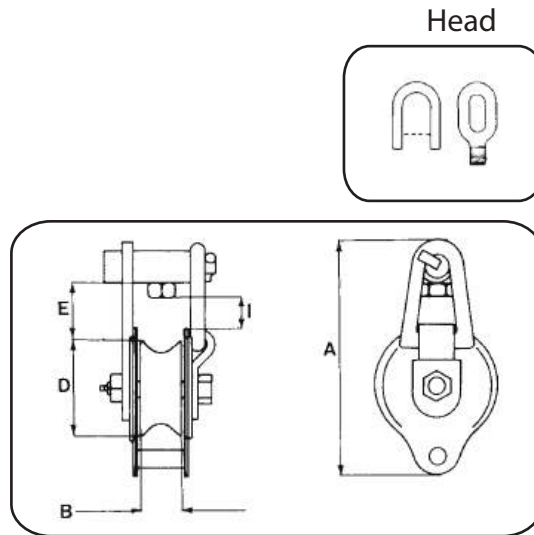
Vare nr. Part no. Parte no.	B	D	S	Vægt Weight Peso
	mm	mm	mm	mm
SKS 10	45	83	20	1,50
SKS 20	45	83	20	1,50
SKS 30	45	110	20	2,30



Pins

Vare nr. Part no. Parte no.	X	Y	Z	Vægt Weight Peso
	mm	mm	mm	mm
PKS 10	103	20	63	0,30
PKS 20	103	20	63	0,30
PKS 30	133	20	95	0,40

Snatch Blocks



**Bronze Bushing
Galvanized**

Part No.	SWL 5:1	A	B	D	E	I	Weight
	Ton	mm	mm	mm	mm	mm	kg
BM-KS 40- <input type="checkbox"/>	3.5	250	45	100	45	38	7.5
BM-KS 50- <input type="checkbox"/>	4.6	325	60	150	80	60	15.2
BM-KS 60- <input type="checkbox"/>	6.0	375	60	215	50	50	24.0

BMM Blocks must be ordered with:

Either **E** Ball bearing, greasable.
or **R** Firm eye.

With an additional charge, following can be provided:

C Tested with certificate.

This data is for guidance purposes only and subject to change without prior notice.

Head

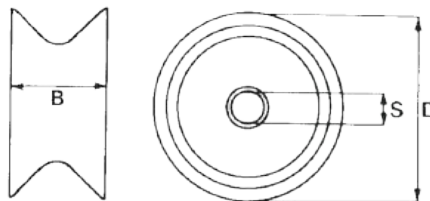
Fast øje
Firm eye
Ojo firme

Swivel øje
Swivel eye
Cáncamo giratorio

Blok vare nr. Block part no. Pasteca art. no.	Fast øje				Swivel øje			
	M	N	O	P	M	N	O	P
	mm	mm	mm	mm	mm	mm	mm	mm
KS 40	38	54	19	102	33	82	24	134
KS 50	48	65	22	115	40	95	28	153
KS 60	53	70	25	132	40	95	28	153

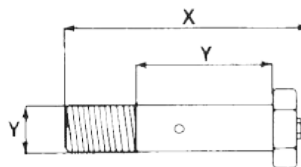
Sheaves

Bronzeleje
Bronze bushing
Cojinete de bronce



Vare nr. Part no. Parte no.	B	D	S	Vægt Weight Peso
	mm	mm	mm	Kg
SKS 40	45	110	20	2,30
SKS 50	60	150	25	5,70
SKS 60	60	215	35	11,30

Pins

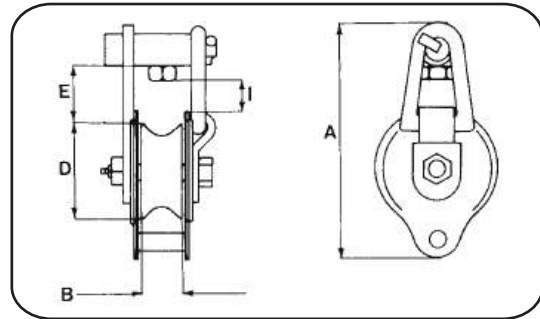
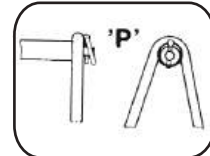


Vare nr. Part no. Parte no.	X	Y	Z	Vægt Weight Peso
	mm	mm	mm	Kg
PKS 40	103	20	63	0,30
PKS 50	103	20	63	0,30
PKS 60	118	35	78	1,10

Snatch Blocks



Head



Galvanized

Part No.	SWL 5:1	A	B	D	E	F	G	I	Weight
	Ton	mm	mm	mm	mm	mm	mm	mm	kg
BM-KS 110- <input type="checkbox"/> E	3.0	255	85	110	68	85	70	45	10.0
BM-KS 150- <input type="checkbox"/> E	5.0	330	85	150	75	85	110	55	19.2
BM-KS 215- <input type="checkbox"/> E	8.0	425	100	215	95	100	170	63	39.5

BMM Blocks must be ordered with:

- Either 1 Ball bearing, greasable.
or 0 Bronze bushing, greasable.

With an additional charge, following can be provided:

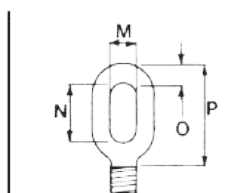
- “C” Tested with certificate.
“P” Split pin at locking device.

On order add letter, e.g. BM-KT 2T-1EGC

This data is for guidance purposes only and subject to change without prior notice.

Swivel øje
Swivel eye
Cáncamo giratorio

Head



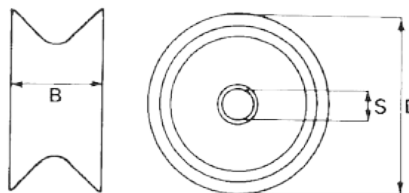
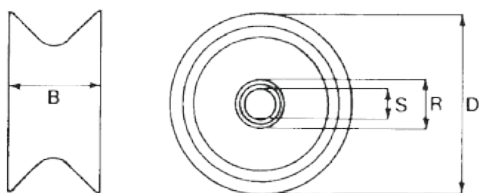
Blok vare nr.
Block part no.
Pasteca art. no.

	M	N	O	P
	mm	mm	mm	mm
KS 110	33	82	24	134
KS 150	40	95	28	153
KS 215	45	86	35	181

Kugleleje
Ball bearing
Rodamiento de bolas

Bronzeleje
Bronze bushing
Cojinete de bronce

Sheaves



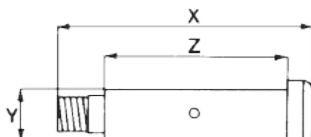
Vare nr. Part no. Parte no.	B	D	R	S	Vægt Weight Peso
	mm	mm	mm	mm	Kg
SKS 110-1	85	110	62	25	3,60
SKS 150-1	85	150	62	25	8,10
SKS 215-1	100	215	80	35	18,30

Vare nr. Part no. Parte no.	B	D	S	Vægt Weight Peso
	mm	mm	mm	Kg
SKS 110-0	85	110	25	3,80
SKS 150-0	85	150	25	8,20
SKS 215-0	100	215	35	18,50

Kugleleje
Ball bearing
Rodamiento de bolas

Bronzeleje
Bronze bushing
Cojinete de bronce

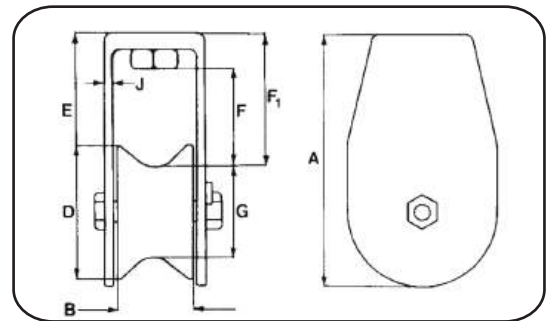
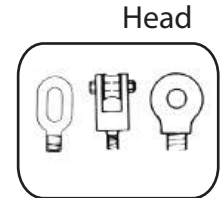
Pins



Vare nr. Part no. Parte no.	X	Y	Z	Vægt Weight Peso
	mm	mm	mm	Kg
PKS 110-1	144	25	115	0,60
PKS 150-1	154	25	122	0,70
PKS 215-1	158	35	117	1,30

Vare nr. Part no. Parte no.	X	Y	Z	Vægt Weight Peso
	mm	mm	mm	Kg
PKS 110-0	144	25	115	0,60
PKS 150-0	154	25	122	0,70
PKS 215-0	158	35	117	1,30

Trawl Blocks



Galvanized

Part No.	SWL 5:1	A	B	D	E	F	F ₁	G	J	Weight
	Ton	mm	mm	mm	mm	mm	mm	mm	mm	kg
BM-K 130- <input type="checkbox"/> <input type="checkbox"/>	4.0	240	100	130	110	85	133	85	10	16.0
BM-K 170- <input type="checkbox"/> <input type="checkbox"/>	6.0	305	100	170	140	100	163	125	10	25.0
BM-K 215- <input type="checkbox"/> <input type="checkbox"/>	6.0	355	100	215	132	110	165	164	10	36.5
BM-K 230- <input type="checkbox"/> <input type="checkbox"/>	9.0	405	120	230	150	110	180	170	12	45.0
BM-K 240- <input type="checkbox"/> <input type="checkbox"/>	9.0	420	150	240	190	140	220	170	12	54.0
BM-K 300- <input type="checkbox"/> <input type="checkbox"/>	11.0	475	120	300	170	120	200	240	12	64.0
BM-K 370 -1 <input type="checkbox"/>	13.0	580	140	370	240	140	285	285	12	110.0
BM-K 400 -2 <input type="checkbox"/>	15.0	670	180	400	245	210	305	280	15	180.0

BM-K 400-2 Available only with roller bearing

BMM Blocks must be ordered with:

- Either 1 Ball bearing, greasable.
- or 0 Bronze bushing, greaseable.
- or E Swivel eye.
- or S Swivel shackle eye.
- or F Swivel fork.

With an additional charge, following can be provided:

- "C" Tested with certificate.
- "G" Galvanized.
- "H" Flame hardened sheave.

On order add letter, e.g. BM-KT 2T-1EGC

This data is for guidance purposes only and subject to change without prior notice.

Blok vare nr. Block part no. Pasteca art. no.	Swivel øje Swivel eye Cáncamo giratorio				Swivel gaffel Swivel fork Horquilla giratorio					Swivel sjækel øje Swivel shackle eye Ojo p/grillete giratorio				Head	
	M	N	O	P	K	L	M	N	R	P	L	M	R		P
	mm	mm	mm	mm	mm	mm	mm	mm	mm	mm	mm	mm	mm		mm
K 130	33	82	24	134	104	23	40	65	30	134	29	42	35	93	
K 170	40	95	28	153	104	23	40	65	30	134	33	46	42	100	
K 215	40	110	28	181	104	23	40	65	30	134	33	46	42	100	
K 230	48	100	32	192	140	29	52	84	35	175	39	50	45	115	
K 240	48	100	32	192	140	29	52	84	35	175	39	50	45	115	
K 300	48	105	38	203	140	29	52	84	35	175	43	58	50	125	
K 370	58	110	50	220	165	39	70	103	50	215	51	72	60	145	
K 400	58	110	50	225	165	51	85	115	65	260	51	72	60	145	

Vare nr. Part no. Parte no.	Kugleleje Ball bearing Rodamiento de bolas					Bronzeleje Bronze bushing Cojinete de bronce					Sheaves
	B	D	R	S	Vægt Weight Peso	B	D	R	S	Vægt Weight Peso	
	mm	mm	mm	mm	Kg	mm	mm	mm	mm	Kg	
SK 130-1	100	130	60	25	5,50	100	130	37	25	5,70	
SK 170-1	100	170	60	25	11,70	100	170	37	25	12,00	
SK 215-1	100	215	80	35	18,30	100	215	56	35	18,50	
SK 230-1	120	230	80	35	19,50	120	230	56	38	20,10	
SK 240-1	150	240	80	35	24,00	150	240	56	38	24,00	
SK 300-1	120	300	80	35	29,80	120	300	56	38	30,70	
SK 370-1	140	370	100	45	50,50						
SK 400-2	180	400	140	85	85,00						

Vare nr. Part no. Parte no.	Kugleleje Ball bearing Rodamiento de bolas			
	X	Y	Z	Vægt Weight Peso
	mm	mm	mm	Kg
PK 130-1	155	25	123	0,70
PK 170-1	155	25	123	0,70
PK 215-1	158	35	117	1,30
PK 230-1	190	35	133	1,50
PK 240-1	220	35	165	1,80
PK 300-1	190	35	133	1,50
PK 370-1	234	45	152	3,20
PK 400-2	330	60	212	10,90

Vare nr. Part no. Parte no.	Bronzeleje Bronze bushing Cojinete de bronce				Pins
	X	Y	Z	Vægt Weight Peso	
	mm	mm	mm	Kg	
PK 130-0	155	25	123	0,60	
PK 170-0	155	25	123	0,70	
PK 215-0	158	35	117	1,30	
PK 230-0	190	38	133	1,60	
PK 240-0	220	35	165	1,80	
PK 300-0	190	38	133	1,60	

General recommendations and warnings using Blue Line blocks.

Ratings in this catalogue are applicable only to new products.

The safe working load (S.W.L.) or working load limit (W.L.L.) of each Blue Line-block may be affected by wear, misuse, overloading, corrosion, deformation, intentional alteration and other use conditions.

Working loads shown are the maximum load the block is authorized to support under normal environmental conditions, shock loading and abnormal conditions must be taken into account when selecting the blocks. Regular inspection must be conducted to ensure the equipment continues to meet the required standard.

Blue Line blocks generally are intended for tension or pull. Side-loading must be avoided, as it exerts additional force or loading for which the product is not designed to accommodate.

Welding of or to load supporting parts or products can be hazardous. Knowledge of materials, heat-treatment and welding procedures is necessary for proper welding. Lankhorst Euronete Australia should be consulted for information.

Maintenance of blocks.

All blocks must be regularly inspected to monitor its condition. The frequency of inspection depends upon frequency and period of block use as well as environmental conditions.

When inspecting blocks for wear, check head fittings for deformation, cuts, sharp edges and any damage which may produce additional stress conditions.

Check for excessive wear in pins, side plates, rope grooves, bushes and bearings. Check security of bolts, nuts and any other locking method and ensure that during continuous usage it cannot vibrate loose.

Any crack or deformation of a block is sufficient to withdraw the equipment from service.

The frequency of lubrication depends on product use and environmental conditions. Upon request Blue Line will provide both lubrication type and frequency.

We also have instructions on disassembling and assembling of blocks and sheaves available.

Guidance.

The design safety factor calculated relates to the ultimate load. The safety factor for Blue Line blocks is 5 to 1 S.W.L (Safe Working Load) or W.L.L. (Working Load Limit) in tonnes.

This data is for guidance purposes only and subject to change without prior notice.

Ferrules



Copper

Part No.	For wire Size = Ø	Ferrule Length	Weight 100pcs
	mm	mm	kg
BM-TK 04	4.0	14	0.7
BM-TK 05	5.0	18	1.4
BM-TK 06	6.0	21	2.1
BM-TK 065	6.5	23	2.6
BM-TK 08	8.0	28	4.0
BM-TK 10	10.0	35	7.0
BM-TK 11	11.0	39	11.0
BM-TK 12	12.0	42	13.0
BM-TK 13	13.0	46	15.0
BM-TK 14	14.0	49	24.3
BM-TK 16	16.0	56	26.0
BM-TK 18	18.0	63	52.0
BM-TK 20	20.0	70	63.0
BM-TK 22	22.0	78	75.0

Ferrules

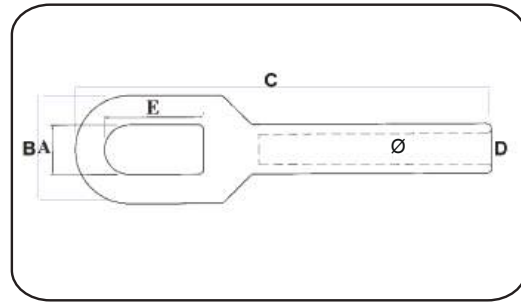


Aluminium "Z"

Part No.	For FIBRE	For STEEL	Ferrule Length	Weight 100pcs
	Wire Rope Size = Ø	Wire Rope Size = Ø		
	mm	mm	mm	kg
BM-TZ 03	3.0	4.0	11	0.09
BM-TZ 04	4.0	6.0	14	0.19
BM-TZ 06	6.0	8.0	21	0.60
BM-TZ 08	8.0	9.0	28	1.40
BM-TZ 10	10.0	12.0	35	2.70
BM-TZ 12	12.0	14.0	42	4.60
BM-TZ 14	14.0	16.0	49	7.40
BM-TZ 16	16.0	18.0	56	11.10
BM-TZ 18	18.0	20.0	63	15.90
BM-TZ 20	20.0	22.0	70	21.70
BM-TZ 22	22.0	24.0	77	29.10
BM-TZ 24	24.0	26.0	84	37.50
BM-TZ 26	26.0	28.0	91	47.90
BM-TZ 28	28.0	30.0	98	60.00
BM-TZ 30	30.0	32.0	105	73.40
BM-TZ 32	32.0	34.0	112	89.40
BM-TZ 34	34.0	36.0	119	108.00
BM-TZ 36	36.0	38.0	126	127.00
BM-TZ 38	38.0	40.0	133	149.00
BM-TZ 40	40.0	42.0	140	173.00
BM-TZ 42	42.0	44.0	147	202.00
BM-TZ 44	44.0	46.0	154	236.00
BM-TZ 46	46.0	48.0	161	266.00
BM-TZ 48	48.0	50.0	168	293.00
BM-TZ 50	50.0	52.0	175	340.00
BM-TZ 52	52.0	54.0	182	380.00

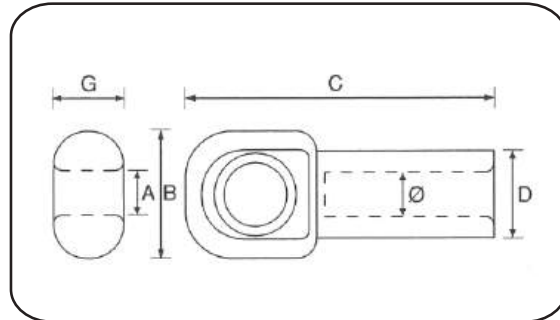
This data is for guidance purposes only and subject to change without prior notice.

Closed End Terminals

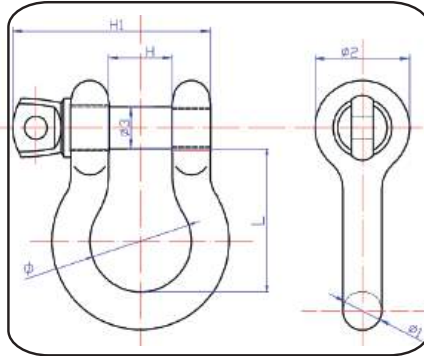


Part No.	Wire Size	A	B	C	D	E	∅	After Pressing	Weight	Swaging Dies	Required Pressure
	mm	mm	mm	mm	mm	mm	mm	mm	kg		Ton
BM-NE 14	14	36	75	200	32.0	55	14.5	28	1.20	DIE-NE-28	250
BM-NE 16	16	36	75	200	32.0	55	16.5	28	1.15	DIE-NE-28	250
BM-NE 18	18	36	75	200	32.0	55	18.5	28	1.10	DIE-NE-28	250
BM-NE 20	20	43	87	230	40.5	56	20.5	36	2.05	DIE-NE-36	300
BM-NE 22	22	43	87	230	40.5	56	22.5	36	1.95	DIE-NE-36	300
BM-NE 24	24	43	87	230	40.5	56	24.5	36	1.85	DIE-NE-36	300

Terminals for Connectors



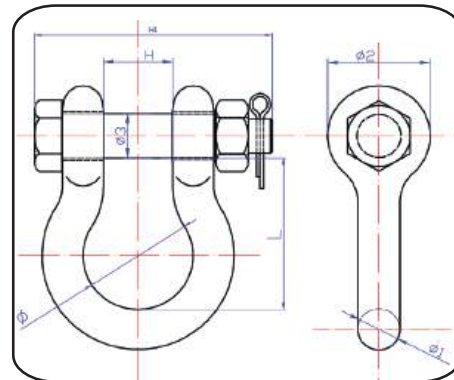
Part No.	A	B	C	D	G	∅	For Connector	After Pressing	Weight	Swaging Dies	Required Pressure
	mm	mm	mm	mm	mm	mm	mm	mm	kg		Ton
BM-NE 18 C	30	60	133	41	33	18.5	16	36	1.2	DIE-No. 14	250
BM-NE 22 C	34	72	161	41	38	22.5	19	36	1.6	DIE-No. 18	300
BM-NE 24 C	34	72	169	41	38	24.5	19	36	1.6	DIE-No. 18	300



Bow Shackle Screw Yellow Pin - G80

Part No.	Size	WLL(6.1)	Body Ø1	Ø2	Pin Ø3	H	H1	L
	mm	Ton	mm	mm	mm	mm	mm	mm
LF-FHGPEC06	6	0.5	6.0	17.5	8.0	13.0	42.5	22.0
LF-FHGPEC08	8	0.75	8.0	21.0	9.5	13.5	48.0	25.5
LF-FHGPEC10	10	1.0	10.0	25.0	11.2	17.0	57.5	30.9
LF-FHGPEC11	11	1.5	11.0	27.0	12.7	18.5	64.5	36.4
LF-FHGPEC13	13	2.0	13.0	31.0	15.8	20.6	74.5	41.4
LF-FHGPEC16	16	3.2	16.0	40.0	19.0	27.0	93.0	51.0
LF-FHGPEC19	19	4.7	19.0	48.0	22.0	32.0	107.0	63.0
LF-FHGPEC22	22	6.5	22.0	54.0	25.0	37.0	121.0	72.0
LF-FHGPEC25	25	8.5	25.5	60.0	28.0	43.5	137.0	81.75
LF-FHGPEC28	28	9.5	28.0	68.0	32.0	48.0	145.0	94.0
LF-FHGPEC32	32	12.0	32.0	76.0	35.0	53.0	167.0	102.0
LF-FHGPEC35	35	13.5	35.0	84.0	38.0	59.0	185.0	113.5
LF-FHGPEC38	38	17.0	38.0	92.0	42.0	62.0	198.0	123.0
LF-FHGPEC45	45	25.0	45.0	106.0	50.0	75.0	227.0	148.0
LF-FHGPEC50	50	35.0	50.0	122.0	56.0	84.0	250.0	174.0

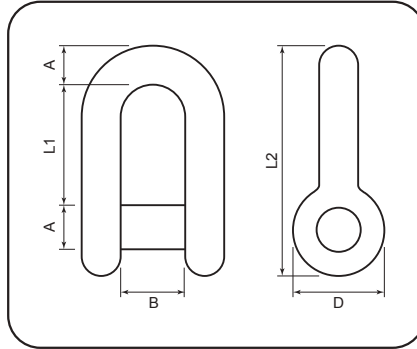
This data is for guidance purposes only and subject to change without prior notice.



Bow Shackle Safety Yellow Pin - G80

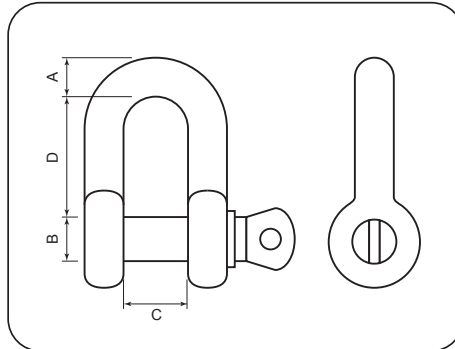
Part no.	Size mm	WLL(6:1) Ton	Body ø1 mm	ø2 mm	Pin ø3 mm	ø mm	H mm	H1 mm	L mm
LT-FHGPSC05	5	0.33	5.0	14.5	6.5	15.5	10.0	30.0	22.50
LT-FHGPSC06	6	0.5	6.0	17.5	8.0	20	13.0	42.5	29.00
LT-FHGPSC08	8	0.75	8.0	21.0	9.5	21.5	13.5	48.0	31.00
LT-FHGPSC10	10	1.0	10.0	25.0	11.2	26.2	17.0	57.5	36.50
LT-FHGPSC11	11	1.5	11.0	27.0	12.0	29.5	18.5	64.5	42.90
LT-FHGPSC13	13	2.0	13.0	31.0	15.8	33.3	20.6	74.5	47.75
LT-FHGPSC16	16	3.25	16.0	40.0	19	43.0	27.0	93.0	60.00
LT-FHGPSC19	19	4.75	19.0	48.0	22	51.0	32.0	107	71.50
LT-FHGPSC22	22	6.5	22.0	54.0	25	58.0	37.0	121	84.50
LT-FHGPSC25	25	8.5	25.0	60.0	28	68.5	43.5	137	96.25
LT-FHGPSC28	28	9.5	28.0	68.0	32	75.0	48.0	145	109.0
LT-FHGPSC32	32	12.0	32.0	76.0	35	84.0	53.0	167	120.5
LT-FHGPSC35	35	13.5	35.0	84.0	38	94.0	59.0	185	134.0
LT-FHGPSC38	38	17.0	38.0	92.0	42	99.0	62.0	198	148.5
LT-FHGPSC45	45	25.0	45.0	106.0	50	128.0	75.0	227	178.5
LT-FHGPSC50	50	35.0	50.0	122.0	56	148.0	84.0	250	197.5
LT-FHGPSC65	65	55.0	65.0	145.0	70	186.0	107.0	299	269.5

Shackles



Slotted Head Dee Shackle (Stainless Steel)

Part No.	A	B	D	L1	L2	B.L
	mm	mm	mm	mm	mm	kg
LT-FDSSSL06	6.0	12.0	12.0	21.0	35.0	1700
LT-FDSSSL08	8.0	17.0	15.9	28.6	48.0	2800
LT-FDSSSL10	10.0	20.0	20.0	35.0	59.0	4500

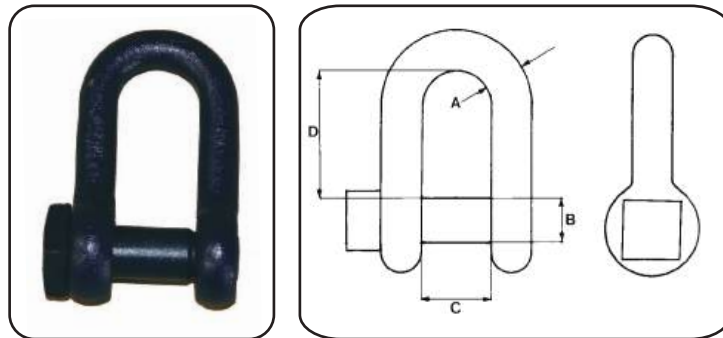


Shackle - Stainless Steel Screw Collar Pin - Dee Type

Part No.	Size A	WLL 5:1	B	C	D	Weight
	mm	Ton	mm	mm	mm	kg/100
LT-FDSSEC07	6.0	0.28	6	12	21	4.0
LT-FDSSEC08	8.0	0.50	8	16	28	7.0
LT-FDSSEC10	9.5	0.80	10	20	35	11.0

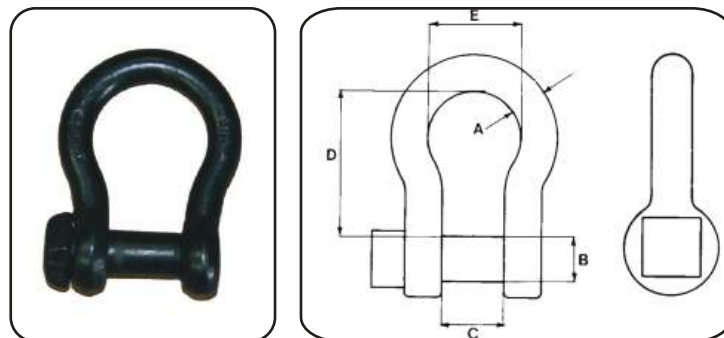
This data is for guidance purposes only and subject to change without prior notice.

Steel Shackles



Blue Dee Type

Part No.	Size	SWL 5:1	A	B	C	Weight
		Ton	mm	mm	mm	kg/100
BM-FK13DB	1/2"	1.5	12	16	27	30.0
BM-FK16DB	5/8"	2.5	16	19	30	60.0
BM-FK19DB	3/4"	3.0	19	22	32	105.0
BM-FK22DB	7/8"	4.0	22	25	37	145.0

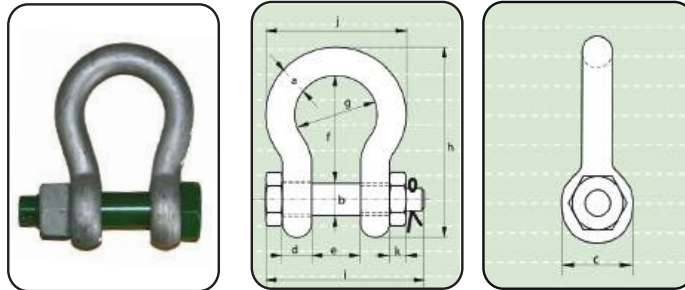


Bow Type

Part No.	Size	SWL 5:1	A	B	C	D	E	Weight
		Ton	mm	mm	mm	mm	mm	kg/100
BM-FK13HB	1/2"	1.5	12	16	27	61	44	32.0
BM-FK16HB	5/8"	2.5	16	19	33	70	54	70.0
BM-FK19HB	3/4"	3.0	19	22	38	84	63	120.0
BM-FK22HB	7/8"	4.0	22	25	44	90	70	165.0
BM-FK25HB	1"	5.0	25	28	48	105	82	240.0

Green Pin Shackle

G-4163



Bow Shackle Safety Green Pin

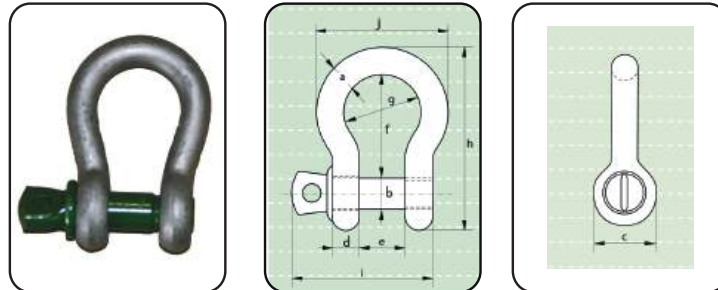
Part No.	WLL 6:1	A Body	B Pin	C	D	E	F	G	H	Weight
	Ton	mm	mm	mm	mm	mm	mm	mm	mm	kg/ea
FHGPSC06	0.5	7	8	16.5	7	12	29	20	48.5	0.06
FHGPSC08	0.75	9	10	20	9	13.5	32	22	56	0.11
FHGPSC10	1	10	11	22.5	10	17	36.5	26	63.5	0.16
FHGPSC11	1.5	11	13	26.5	11	19	43	29	74	0.22
FHGPSC13	2	13.5	16	34	13	22	51	32	89	0.42
FHGPSC16	3.25	16	19	40	16	27	64	43	110	0.74
FHGPSC19	4.75	19	22	46	19	31	76	51	129	1.18
FHGPSC22	6.5	22	25	52	22	36	83	58	144	1.77
FHGPSC25	8.5	25	28	59	25	43	95	68	164	2.58
FHGPSC28	9.5	28	32	66	28	47	108	75	185	3.66
FHGPSC32	12	32	35	72	32	51	115	83	201	4.91
FHGPSC35	13.5	35	38	80	35	57	133	92	227	6.54
FHGPSC38	17	38	42	88	38	60	146	99	249	8.19
FHGPSC45	25	45	50	103	45	74	178	126	300	14.22
FHGPSC50	35	50	57	111	50	83	197	138	331	19.85
FHGPSC57	42.5	57	65	130	57	95	222	160	377	28.33
FHGPSC65	55	65	70	145	65	105	260	180	433	39.59
FHGPSC75	85	75	83	162	73	127	329	190	527	62

Available in D-type

This data is for guidance purposes only and subject to change without prior notice.

Green Pin Shackle

G-4161



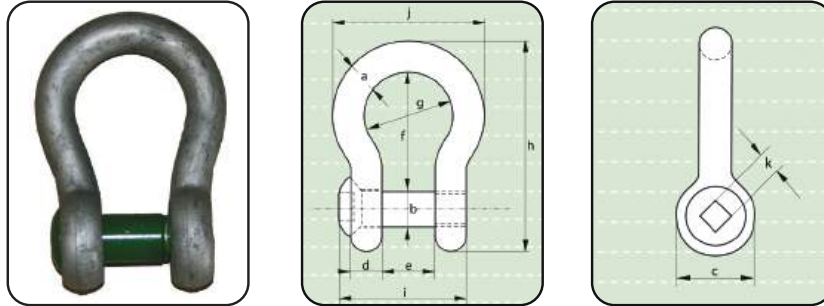
Bow Shackle Screw Green pin

Part No.	Size	WLL 6:1	A Body	B Pin	C	D	E	Weight
	mm	Ton	mm	mm	mm	mm	mm	kg/ea
FHGPEC05	5	0.33	5	6	12	5	9.5	0.02
FHGPEC06	6	0.50	6	8	16.5	7	12	0.05
FHGPEC08	8	0.75	8	10	20	9	13.5	0.1
FHGPEC10	10	1	10	11	22.5	10	17	0.14
FHGPEC11	11	1.5	11	13	26.5	11	19	0.19
FHGPEC13	13	2	13	16	34	13	22	0.36
FHGPEC16	16	3.25	16	19	40	16	27	0.63
FHGPEC19	19	4.75	19	22	46	19	31	1.01
FHGPEC22	22	6.5	22	25	52	22	36	1.5
FHGPEC25	25	8.5	25	28	59	25	43	2.21
FHGPEC28	28	9.5	28	32	66	28	47	3.16
FHGPEC32	32	12	32	35	72	32	51	4.31
FHGPEC35	35	13.5	35	38	80	35	57	5.55
FHGPEC38	38	17	38	42	88	38	60	7.43
FHGPEC45	45	25	45	50	103	45	74	12.84
FHGPEC50	50	35	50	57	111	50	83	18.15
FHGPEC57	57	42.5	57	65	130	57	95	26.29
FHGPEC65	65	55	65	70	145	65	105	37.6

Available in D-type

Green Pin Shackle

G4169



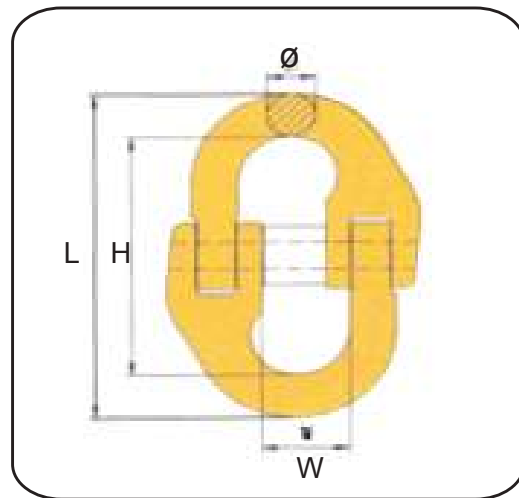
Bow Shackle Sunken Hole Green Pin with square sunken hole screw pin

Part No.	WLL 6:1	A Body	B Pin	C	D	E	F	G	H	I	J	K	Weight
	Ton	mm	mm	mm	mm	mm	mm	mm	mm	mm	mm	mm	kg/each
FHGPH-13	2.00	13.5	16	34	13	22	51	32	89	51	58	11	0.31
FHGPH-16	3.25	16.0	19	40	16	27	64	43	110	63	75	11	0.56
FHGPH-19	4.75	19.0	22	46	19	31	76	51	129	74	89	11	0.98
FHGPH-22	6.50	22.0	25	52	22	36	83	58	144	85	102	13	1.46

Key for Sunken Hole

Part No.	Description	For Shackle
FHGPH-KEY 10	Key for pin size	F13/F16/F19
FHGPH-KEY 12	Key for pin size	F22/F25
FHGPH-KEY 28	Key for pin size	F28/F32/F35

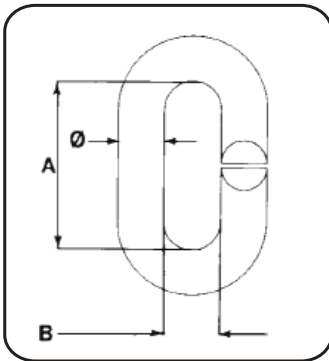
This data is for guidance purposes only and subject to change without prior notice.



Connectors G80

Part No.	Size mm	Ø mm	WLL(4:1) Ton	W mm	L mm	H mm	Weight Kg/ea
LT-CNL-06-X	6	7	1.1	15	58	42	0.08
LT-CNL-07-X	7	8.5	1.5	19	71.8	54.8	0.145
LT-CNL-08-X	8	8.5	2	18	79.5	60.5	0.16
LT-CNL-10-X	10	10.8	3.2	25	93	68	0.3
LT-CNL-13-X	13	15	5.3	29	117	87	0.7
LT-CNL-16-X	16	19.8	8	34.5	148	108.4	1.1
LT-CNL-18-X	18	21	10	38	154	112	1.84
LT-CNL-20-X	18/20	24	12.5	41	169.5	121.5	1.8
LT-CNL-22-X	22	26	15	48	193.5	141.5	3.2
LT-CNL-26-X	26	30	21.2	57.5	220	158	4.5
LT-CNL-32-X	32	37	31.5	67	281	205	9

Split Links (Sister Clips)



Grade 60 Galvanized

Part No.	Size =Ø	SWL 5:1	A	B	Weight
	mm	Ton	mm	mm	kg/100
BM-DS10GAL	10	0.1	50	16	8.5
BM-DS16GA	16	0.3	72	21	33.0
BM-DS19GA	19	0.5	80	24	50.0
BM-DS22GA	22	0.6	88	27	75.0

Stainless Steel

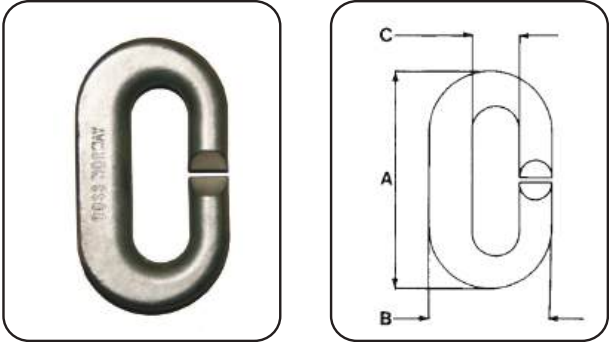
Part No.	Size =Ø	SWL 5:1	A	B	Weight
	mm	Ton	mm	mm	kg/100
BM-DS12SS	13	0.3	55	18	16.5
BM-DS16SS	16	0.4	72	21	33.0
BM-DS19SS	19	0.5	80	24	50.0
BM-DS22SS	22	0.6	88	27	75.0

Chrome Steel Yellow Galvanized

Part No.	Size =Ø	SWL 5:1	A	B	Weight
	mm	Ton	mm	mm	kg/100
BM-DS14CH	14	0.5	60	18	20.0
BM-DS16CH	16	0.7	72	21	33.0
BM-DS19CH	19	1.4	80	23	55.0
BM-DS22CH	22	1.8	88	27	75.0

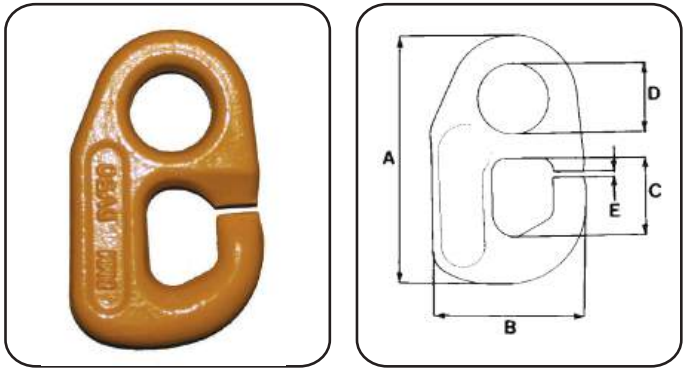
This data is for guidance purposes only and subject to change without prior notice.

Boss Split Link



Stainless Steel

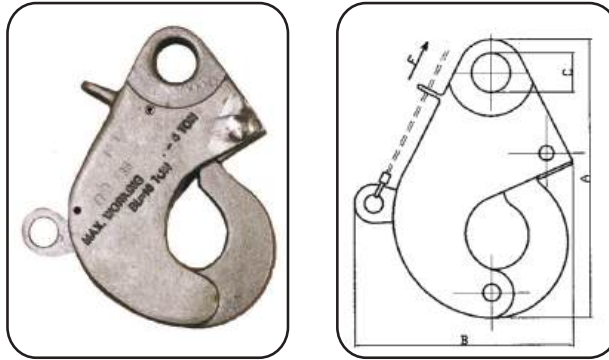
Part No.	SWL 5:1	A	B	C	Weight
	Ton	mm	mm	mm	kg
BM-BOSS-DL21S	1.4	108	63	25	0.70



**Viking Link
High Tensile Steel
Quenched and Tempered.Forged**

Part No.	SWL 5:1	A	B	C	D	E	Weight
	Ton	mm	mm	mm	mm	mm	kg
BM-DV30	3.0	115	70	42	30	2.5	0.7
BM-DV50	5.0	130	80	42	36	2.5	1.1
BM-DV80	8.0	145	90	42	42	2.5	1.6

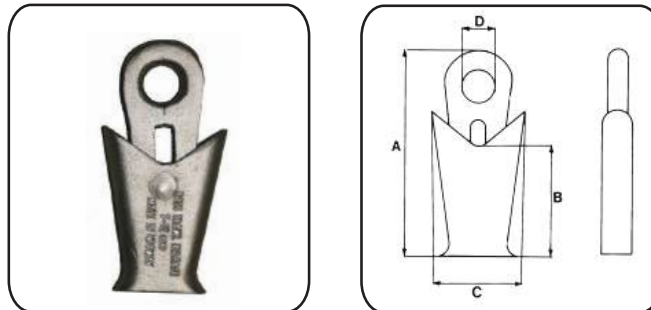
Quick Release Hook



Boss Quick Release Hook

Part No.	SWL	A	B	C	F	Weight
	5:1	mm	mm	mm	mm	
BM-BOSS RH 2T	2.0	165	138	23	V. 500KG = 10KG	1.6
					V.900KG = 13KG	

SEVEN

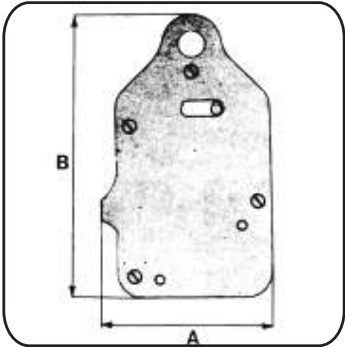
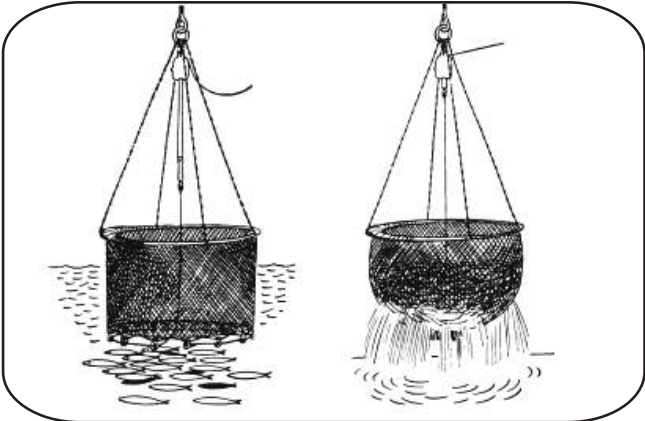


Trawl Release - Stainless Steel

Part No.	Type	A	B	C	D	Weight
		mm	mm	mm	mm	
BM-BOSS 07-12	7-12mm	78	59	29	15	0.4
BM-BOSS 12-16	12-16mm	145	98	55	20	1.6
BM-BOSS 16-20	16-20mm	167	98	65	24	1.9

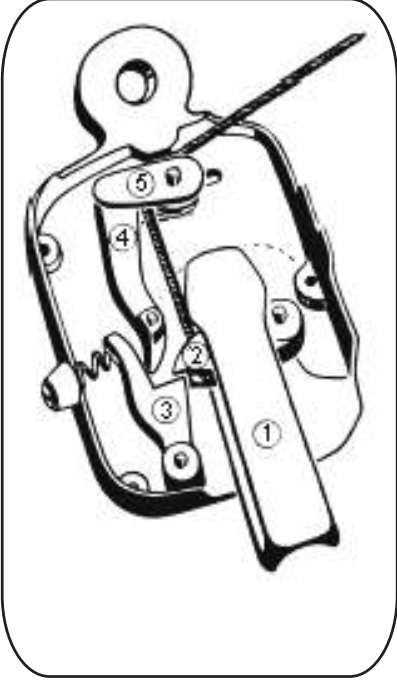
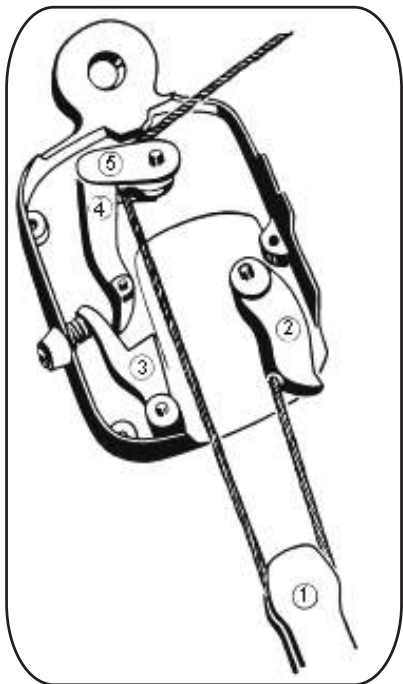
This data is for guidance purposes only and subject to change without prior notice.

Brailing Net Lock



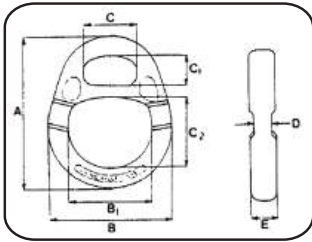
Brass and Stainless Steel

Part No.	A	B	Weight
	mm	mm	Kg
BM-BOSS BK11	100	220	3.90
BM-BOSS BK12S	170	275	7.20



Spare Parts

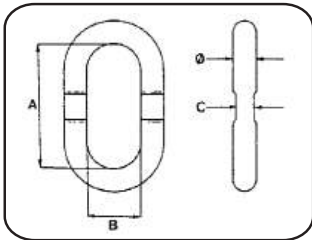
- 1. Sliding block.
- 2. Locking piece.
- 3. Pawl.
- 4. Latch.
- 5. Releasing arm.


BMM Kelly's Eye
 High Tensile Steel

Part No.	SWL 5:1	A	B	B1	C	C1	C2	D	E	Weight
	Ton	mm	mm	mm	mm	mm	mm	mm	mm	kg
BM-EVR15	15.0	185	150	90	52	40	65	17	25	2.2
BM-EVR20	20.0	225	185	125	80	45	106	25	41	5.1


BMM Recessed Link
 High Tensile Steel

Part No.	SWL 5:1	Ø	A	B	C	Weight
	mm	mm	mm	mm	mm	kg
BM-EVM100	10.0	21	100	36	14	0.8
BM-EVM120	12.0	25	122	48	16	1.7
BM-EVM150	15.0	30	170	75	17	2.8
BM-EVM200	20.0	34	185	85	25	4.2

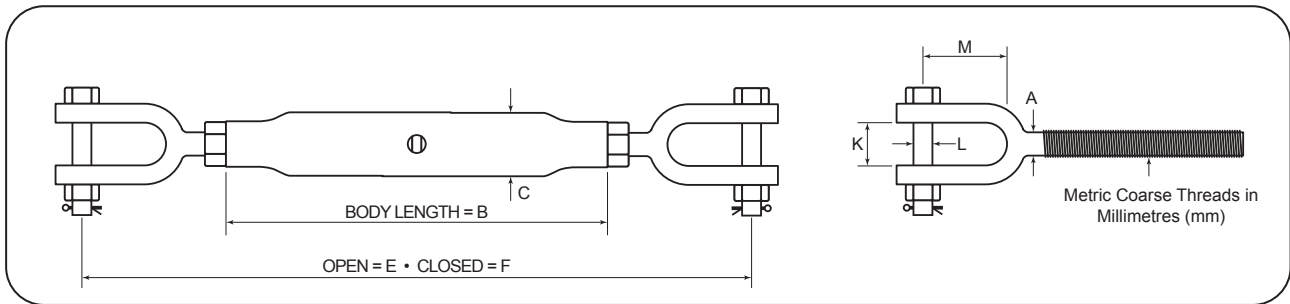

Codend Rings

Part no.	Color	Inside diameter mm	Outside diameter mm	Lifting Capacity Kg
BM-M419	White	30.5	43	300
BM-M420	White	31.2	48	450
BM-M421	White	38.0	55	400
BM-M422	White	44.0	69	800
BM-M423	White	60.0	80	500
BM-M490	White	60.0	89	1100
BM-M492	White	114.0	151	2000

This data is for guidance purposes only and subject to change without prior notice.

Rigging Screws

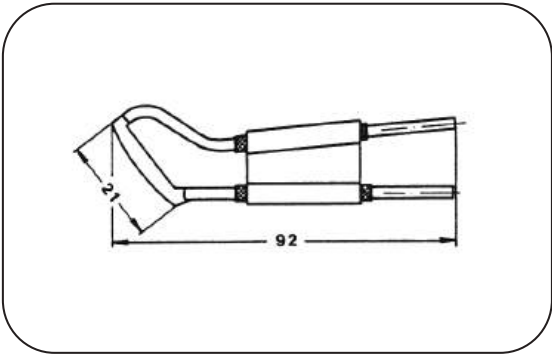
Jaw & Jaw Galvanized - Grade L



Part No.	Size	WLL	Weight	A	B	C	E	F	K	M	L
	mm	T P/L	kg/pc	mm	mm	mm	mm	mm	mm	mm	mm
407010L	10	0.6/0.3	0.48	10	152	21	349	235	11	21	8
407012L	12	1.0/0.5	0.98	12	229	25	524	343	19	35	10
407016L	16	1.6/0.75	1.4	16	229	27	550	361	22	51	12
407020L	20	2.5/1.25	2.3	20	229	34	550	387	22	48	16
407024L	24	4.0/2.5	4.85	24	356	42	822	556	32	65	22
407027L	27	5.0/3.0	5.75	27	356	45	822	559	32	65	22
407033L	33	8.0/5.0	8.08	33	381	51	872	604	38	76	24
407039L	39	10/6.0	13.5	29	407	57	949	670	47	90	32
407048L	48	16/10	23	48	407	76	977	743	51	121	42



Type R



Electric Hot Knife

Electric knife for quick and efficient synthetic rope cutting. The rope ends are simultaneously heat sealed in heating process.

	Part No.	Power	Weight
			kg
Green	BM-HEK96	220 V / 60 w	1
Black	BM-HSG-4VW/220	220 V / 350 w	

Blades

Part No.	For Electric Knife
BM-HEK96B	BM-HEK96
BM-HSG-4-VW/220B	BM-HSG-4VW/220

This data is for guidance purposes only and subject to change without prior notice.



Wire Clamps (Frogs Legs)

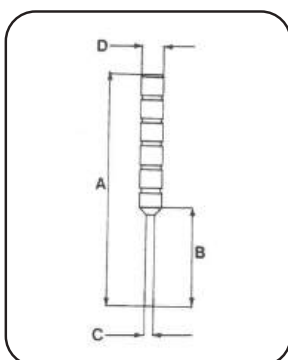
Drop forged steel, galvanized, with hardened and grooved steel jaws and springs, the ideal equipment for tensioning all kinds of rope, wire and cable

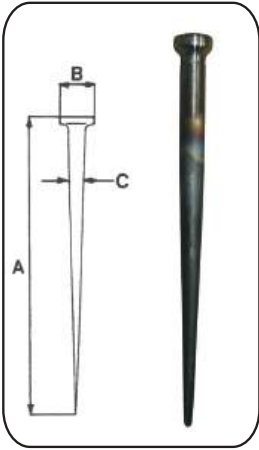
Part No.	Size mm	SWL 5:1 Ton	Weight Kg
BM-DIV612	3-8	1.0	0.85
BM-DIV613	5-10	1.7	1.10
BM-DIV614	8-16	3.0	1.80
BM-DIV615	12-26	3.5	3.70
BM-DIV616	20-38		



Punches

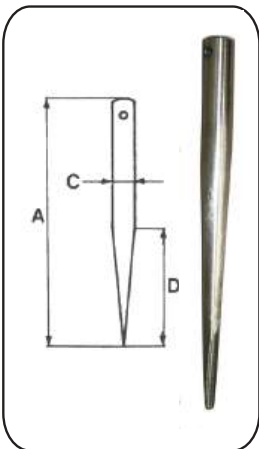
Part No.	A	B	C	D	Weight	For Connector
	mm	mm	mm	mm	kg	
BM-E600-05	175	50	5	22	0.33	7
BM-E600-07	190	70	7	22	0.36	10
BM-E600-09	210	85	9	22	0.41	13
BM-E600-11	220	100	11	22	0.45	16
BM-E600-13	240	115	13	22	0.50	19
BM-E600-15	250	125	15	22	0.55	22





Marline Spikes For Wire

Part No.	A	A	B	C	Weight	Material
	mm	inch	mm	mm	kg	
BM-EM 260 CH	260	10"	28	16	0.24	Chrome steel, hardened tip
BM-EM 310 CH	310	12"	28	20	0.37	-
BM-EM 350 CH	350	14"	38	25	0.81	-
BM-EM 450 CH	450	18"	43	28	1.21	-
BM-EM 510 CH	510	20"	43	28	1.39	-
BM-EM 610 CH	610	24"	43	28	1.88	-
BM-EM 700 CH	700	28"	43	28	2.30	-



Marline Spikes - Stainless Steel

Part No.	A	C	D	Weight	Material
	mm	mm	mm	kg	
BM-EM 260 SS G	260	25	160	0.24	w/grove
BM-EM 350 SS E	350	28	250	1.15	-

Marline spikes are available only with eye.

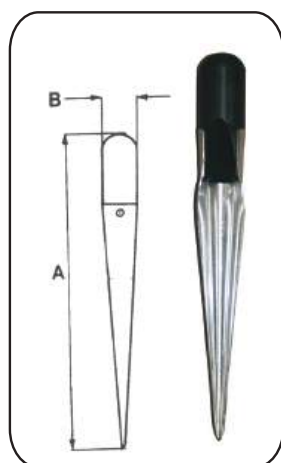
This data is for guidance purposes only and subject to change without prior notice.

**Selma Fid
Stainless Steel**

Part No. [Redacted]

BM-E100

5 in a pack



**Rope Splicing Fids
Stainless Steel**

Part No.	A	B	Weight	Handle
	mm	mm	kg	
BM-EM 170 SS	170	24	0.030	Wood
BM-EM 280 SS	280	32	0.125	Wood
BM-EM 305 SS	305	33	0.260	Nylon
BM-EM 385 SS	385	43	0.460	Nylon

7 Demand Avenue
Arundel QLD 4214

Tel: 1300 947 326

POSTAL ADDRESS:

PO Box 3020 Helensvale Town Centre QLD 4212

 www.instagram.com/wirecoaustralia

 www.facebook.com/wirecoaustralia

 <https://www.linkedin.com/company/wireco-australia>

wireco.com.au